

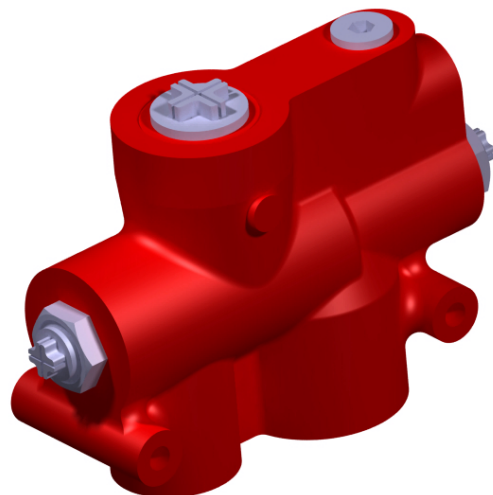
# PRIORITETNI VENTILI

## ZA HIDROSTATIČKE SERVOUPRAVLJAČE

### OPIS

Prioritetni ventili su namenjeni za ugradnju na radne mašine (bageri, buldozeri, viljuškari i sl.), kada je hidraulička instalacija izvedena tako da jedna pumpa napaja i radnu hidrauliku i sistem za upravljanje. Prioritetni ventil u tom slučaju daje prednost napajanju upravljačkog sistema.

Ventil 141-1100 namenjen je za ugradnju na cevne vodove, a ventil 1072 080 za ugradnju direktno na servostat.



K

# PRIORITY VALVES

## FOR HYDROSTATIC SERVO STEERING GEARS

### DESCRIPTION

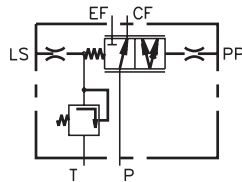
The priority valves distribute and trace the hydraulic flow from the supply pump of the hydraulic system to the hydraulic components which control and run the vehicle.

The priority valves are used only with LS hydrostatic servo steering gears. When connected, the steering gear and priority valve represent sophisticated hydraulic tracing system that controls the flow in both main pipelines of the hydraulic system (the working and control one) at any time of its operation.

**TEHNIČKE KARAKTERISTIKE  
TECHNICAL DATA**

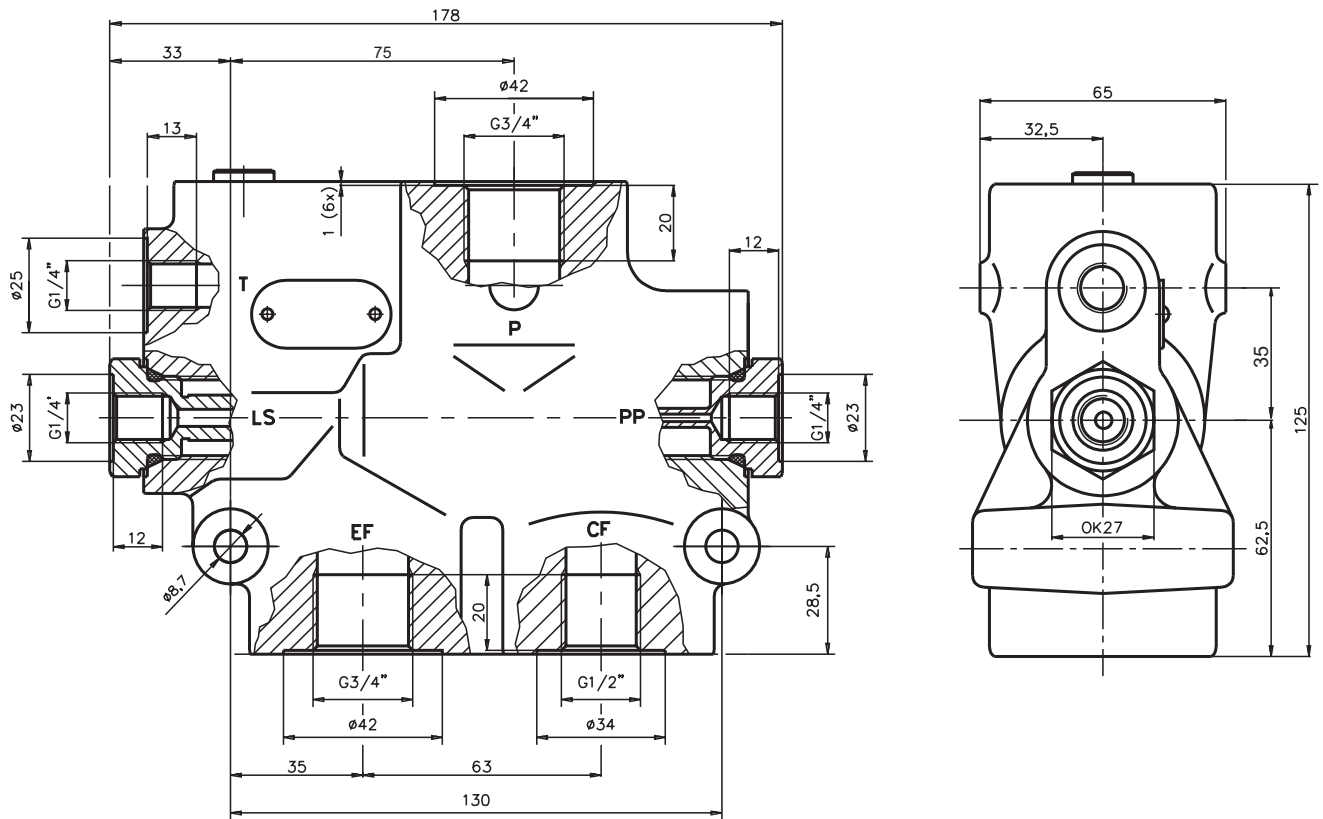
Upravljački pritisak Control pressure	$P_u$	(bar)	4
Max. protok Max. flow		(l/min)	160
Max. pritisak (podešenost VS) Max. pressure (SV setting)		(bar)	175
Max. pritisak na P i EF priključcima Max. pressure (P and F connections)		(bar)	250
Radni fluid mineralno ulje mineral oil			
viskoziitet viscosity		(mm <sup>2</sup> /s)	od 20 do 40 (na 50°C) from to (at)
Working fluid temperatura temperature		(°C)	od -30 do +80 from to
Masa Mass		(kg)	

**SIMBOL  
SYMBOL**



**UGRADNI CRTEŽ  
MOUNTING DIMENSIONS**

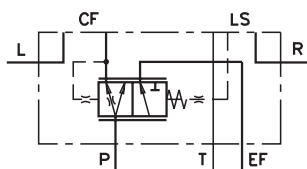
**141-1100**



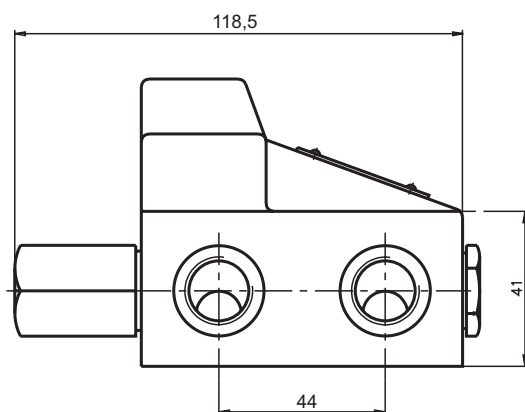
**TEHNIČKE KARAKTERISTIKE  
TECHNICAL DATA**

Upravljački pritisak Control pressure	$P_u$	(bar)	4
Max. protok Max. flow		(l/min)	80
Max. pritisak na priključcima Max. connections pressure		(bar)	
		P, R, L, EF	240
		CF	175
		T	10
Radni fluid Working fluid	mineralno ulje mineral oil	(mm <sup>2</sup> /s)	od 20 do 40 (na 50°C) from to (at 50°C)
viskoziitet viscosity			
Radni fluid Working fluid	temperatura temperature	(°C)	od -30 do +80 from to
Masa Mass		(kg)	

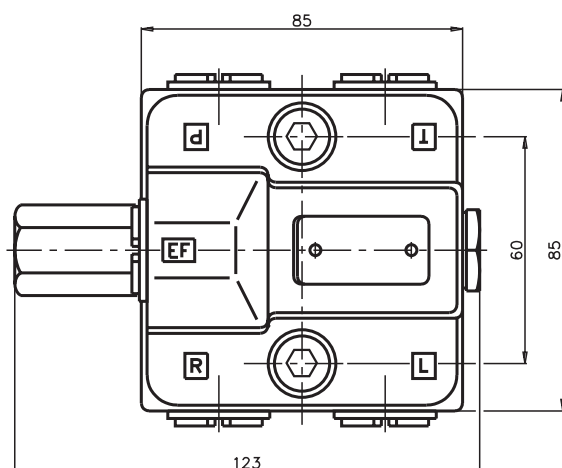
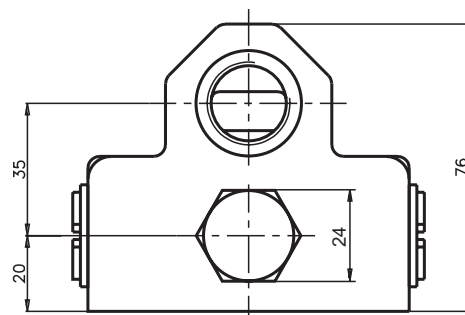
**SIMBOL  
SYMBOL**



**UGRADNI CRTEŽ  
MOUNTING DIMENSIONS**



**1072 080**



Priključni otvori:  
Connections:

R, L, T M18x1,5  
P, EF M22x1,5

Isporučuje se sa ventilom:  
Deliver with valve:

vijak  
screw M10x40 JUS M.B1.120 (2x)

O-prsten  
O-ring 22x2 FS1.0002 (4x)

