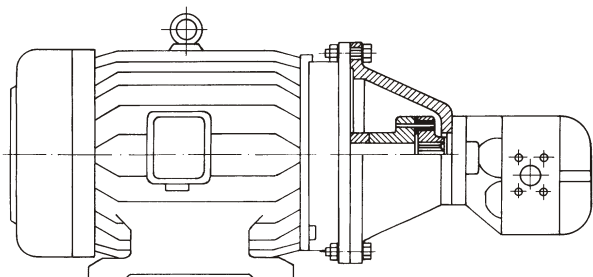
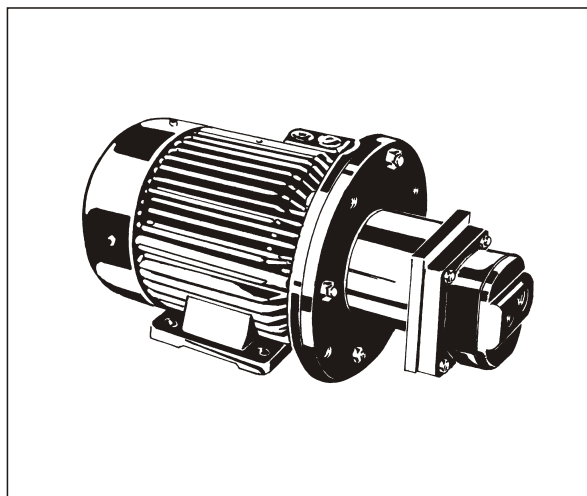


prva petoletka
HYDRAULICS

Pumpni agregati 2PAP Pump units 2PAP

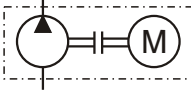
SKLOP MOTOR/ZUPČASTA PUMPA, NISKOG PRITISKA, HORIZONTALNI
MOTOR/GEAR PUMP ASSEMBLY, LOW PRESSURE, HORIZONTAL VERSION

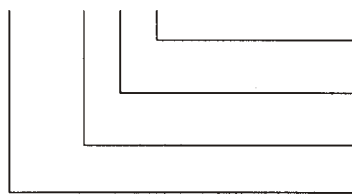
- Pumpni agregat čini sklop pumpe, spojnice i el. motora
- Obezbeđuje pritisak i protok ulja za napajanje hidrauličkog sistema
- Kod ugradnje voditi računa o sledećem:
 - brzina proticanja ulja u usisnom vodu - 2 m/s
 - max pritisak u usisnom vodu ne sme prelaziti 0,5 bar
- Primena: najčešće za pretakanje hidrauličkih ulja i teških (tečnih) goriva itd.

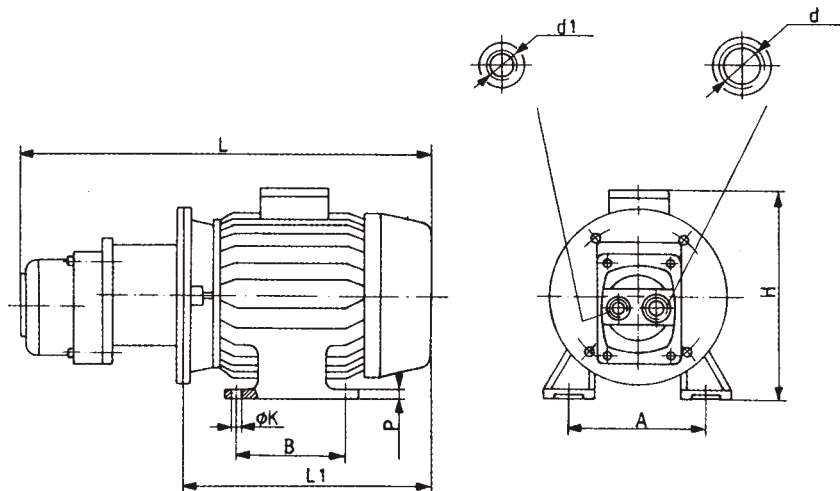


- The pump unit is assembly of the pump, coupling and el. motor
The unit supplies oil flow and pressure for hydraulic system
- When installing the pump units, care should be taken about the following:
 - velocity of the fluid flow in suction line must be up to 2 m/s
 - pressure in suction line must not be higher than 0,5 bar
- Application: predominantly for decanting of hydraulic oil and heavy oil burner etc.

TEHNIČKE KARAKTERISTIKE TECHNICAL DATA

Simbol Symbol		
Pumpa (zupčasta) Pump (gear)	protok flow rate (l/min)	10 ... 400
	broj obtaja speed (r.p.m.)	1500
	nazivni pritisak nominal pressure (bar)	... 30
	smer obrtanja rotation direction	levi ili desni anticlockwise or clockwise
El. motor	snaga power (kW)	0,37 ... 11
	broj obtaja speed (r.p.m.)	1500
	napon voltage (V); 50 Hz	220 / 380
	izolacija - zaštita insulation - protection	class E - IP44
	oblik form	B3/B14 sa većom prirub. do 7,5 kW (B3/B5 DIN 42950) B3/B14 with larger flange ut to 7,5 kW (B3/B5 DIN 42950)
Radna tečnost Working fluid	mineralno ulje mineral oil	
	viskozitet viscosity (mm ² /s)	16 ... 90
	temperatura temperature (°C)	-20 ... +70
Masa Mass (kg)		videti ugradni crtež see mounting drawing

OZNAČAVANJE
DESIGNATION
2PAP. 00 * . * E *

 El. motor, snaga
 El. motor, power
 Izolacija
 Insulation
 Pritisak
 Pressure
 Protok
 Flow rate

UGRADNI CRTEŽ (mere u mm)
MOUNTING DRAWING (dimensions in mm)

Pritisak / Pressure = 3,3 bar

Oznaka Designation	Protok Flow (l/min)	Snaga Power (kW)	A	B	H	L	L1	ØK	P	Usisni otvor Inlet port	Potisni otvor Outlet port	Masa Mass (kg)
										d	d1	
2PAP.00.63.3.3.E0,75	63	0,75	125	100	190	405	232	9	10	M42x2	M26x1,5	

Pritisak / Pressure = 5 bar

2PAP.00.20.5.E0,37	20	0,37	112	90	172	340	207	7	8	M27x2	M18x1,5	
2PAP.00.20.5.E0,75	20	0,75	125	100	210	375	231	10	14	M27x2	M18x1,5	

Pritisak / Pressure = 10 bar

2PAP.00.40.10.E0,75	40	0,75	125	100	210	385	231	10	14	M33x2	M27x2	
2PAP.00.100.10.E2,2	100	2,2	160	140	202	533	303	13	14	M42x2	M33x2	

Pritisak / Pressure = 16 bar

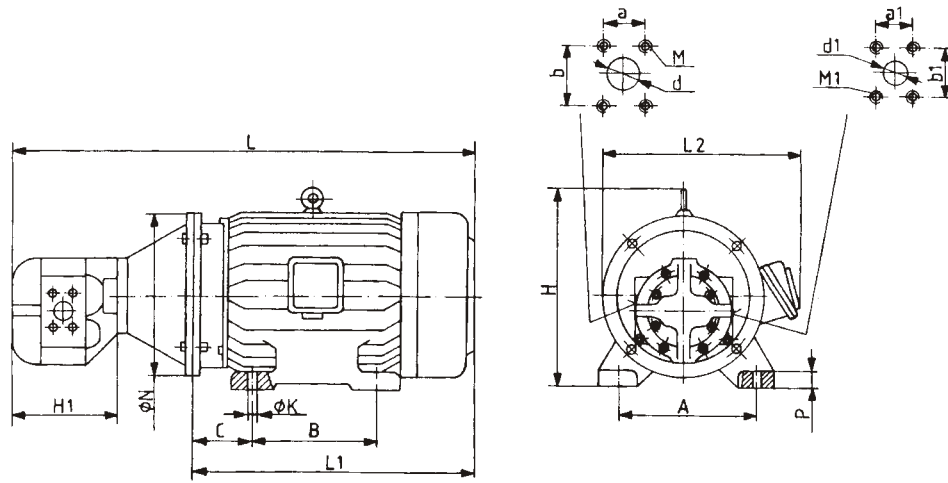
2PAP.00.100.16.E3	100	3	160	140	202	533	303	13	14	M42x2	M33x2	
-------------------	-----	---	-----	-----	-----	-----	-----	----	----	-------	-------	--

Pritisak / Pressure = 20 bar

2PAP.00.10.20.E0,55	10	0,55	125	100	190	387	232	9	10	M18x1,5	M16x1,5	
2PAP.00.20.20.E1,5	20	1,5	140	125	226	430	275	10	14	M27x2	M18x1,5	
2PAP.00.63.20.E3	63	3	160	140	274	500	310	12	14	M42x2	M26x1,5	

Pritisak / Pressure = 30 bar

2PAP.00.10.30.E0,75	10	0,75	125	100	190	387	232	9	10	M18x1,5	M16x1,5	
---------------------	----	------	-----	-----	-----	-----	-----	---	----	---------	---------	--



Pritisak / Pressure = 12 bar

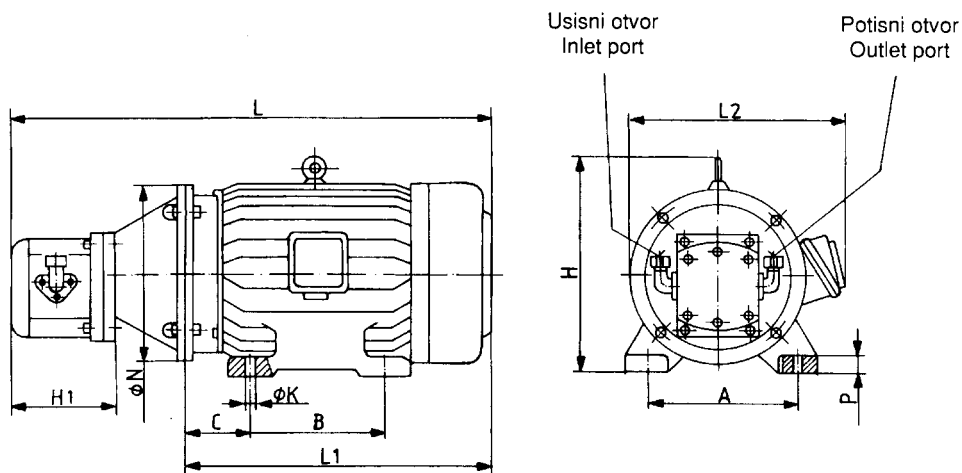
Oznaka Designation	Protok Flow (l/min)	Snaga Power (kW)	A	B	C	L	L1	L2	H	H1	ØN	ØK	P
2PAP.00.200.12.E5,5	200	5,5	216	140	85	710	361	320	305	206	300	12	18

Oznaka Designation	Usisni otvor Inlet port				Potisni otvor Outlet port				Masa Mass (kg)
	d	a	b	M	d1	a1	b1	M1	
2PAP.00.200.12.E5,5	60	50,8	88,9	M12/14	38	35,7	69,8	M12/14	

Pritisak / Pressure = 14 bar

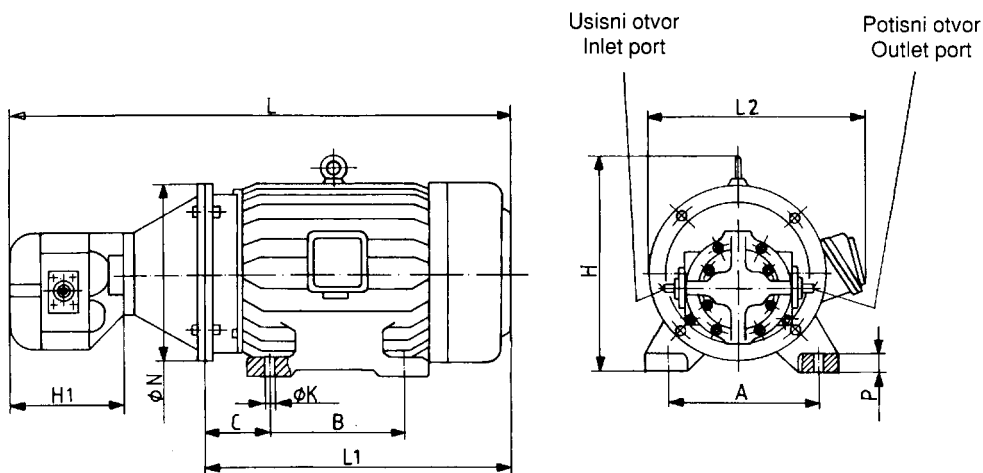
Oznaka Designation	Protok Flow (l/min)	Snaga Power (kW)	A	B	C	L	L1	L2	H	H1	ØN	ØK	P
2PAP.00.400.14.E11	400	11	254	210	108	945	477	411	364	293	350	15	25

Oznaka Designation	Usisni otvor Inlet port				Potisni otvor Outlet port				Masa Mass (kg)
	d	a	b	M	d1	a1	b1	M1	
2PAP.00.400.14.E11	70	60	90	M12/24	48	42	78	M12/24	



Pritisak / Pressure = 20 bar

Oznaka Designation	Protok Flow (l/min)	Snaga Power (kW)	A	B	C	L	L1	L2	H	H1	ØN	ØK	P	Usisni otvor za cev Inlet port for pipe	Potisni otvor za cev Outlet port for pipe	Masa Mass (kg)
2PAP.00.160.20.E7,5	160	7,5	216	178	89	752	399	320	305	203	300	12	18	Ø45	Ø30	



Pritisak / Pressure = 25 bar

Oznaka Designation	Protok Flow (l/min)	Snaga Power (kW)	A	B	C	L	L1	L2	H	H1	ØN	ØK	P	Usisni otvor za cev Inlet port for pipe	Potisni otvor za cev Outlet port for pipe	Masa Mass (kg)
2PAP.00.200.25.E11	200	11	254	210	108	865	479	411	364	206	350	15	23	Ø70	Ø38	