

Zupčasti motori 3125 - standard Gear motors 3125 - standard

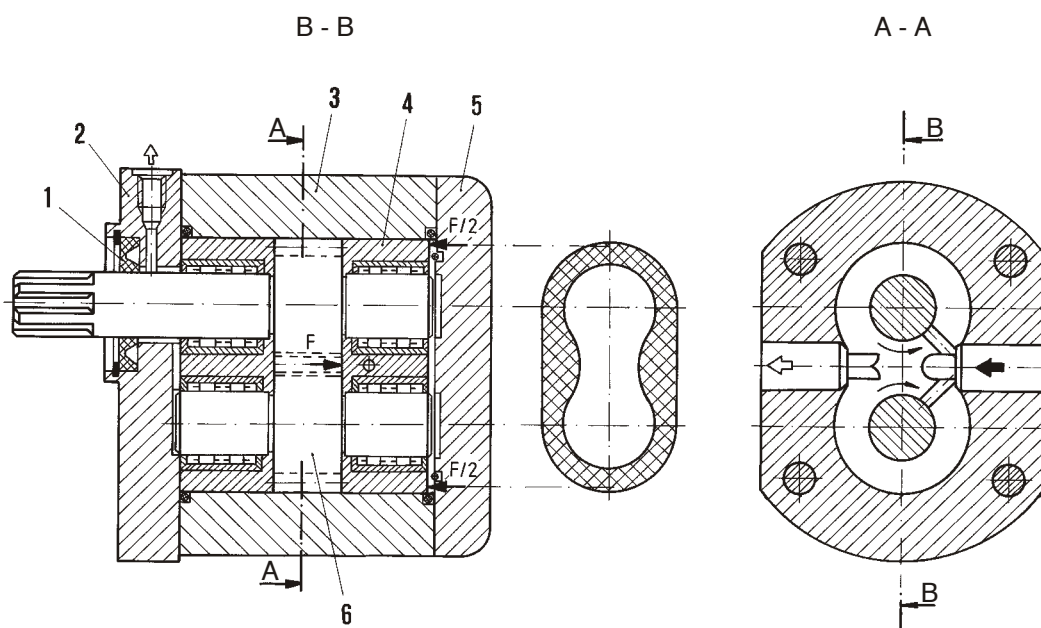
VISOKOG PRITISKA, SA SPOLJAŠNJIM OZUBLJENJEM
HIGH PRESSURE, WITH OUTER GEARING

- Veliki obrtni moment
- Specijalno uležištenje zupčanika
- Jednostavna i robusna konstrukcija uz male gabarite
- Dobar učinak i u najtežim radnim uslovima
- Automatska regulacija aksijalnog zazora
- Dobar stepen korisnog dejstva, praktično nepromenljiv u deklarisanom području broja obrtaja i pritiska
- Motori su razvijeni na bazi familije zupčastih pumpi visokog

- High torque
- Special bearings
- Simple and robust construction, with small overall dimensions
- Satisfactory performance under the heaviest duties
- Automatic regulation of axial clearance
- High efficiency which is practically constant within the declared speed and pressure
- Hydraulic motors are developed on the basis of the high-pressure gear pump series and this is why these motors have a



**PRESEK - PRINCIP RADA
SECTION - MODE OF OPERATION**



1. Osovinska zaptivka
2. Prednji poklopac
3. Kućište
4. Ležišna čaura
5. Zadnji poklopac
6. Zupčasti par

1. Shaft seal
2. Front cover
3. Housing
4. Bearing socket
5. Rear cover
6. Couple of gears

POGON

Prenos obrtnog momenta obavlja se preko elastične spojnice. Radijalne i aksijalne sile nisu dozvoljene. Ako se prenos obrtnog momenta obavlja preko kaišnika ili zupčanika, neophodno je izabrati motor sa dodatnim ležajem u prednjem poklopcu.

DRIVE ARRANGEMENTS

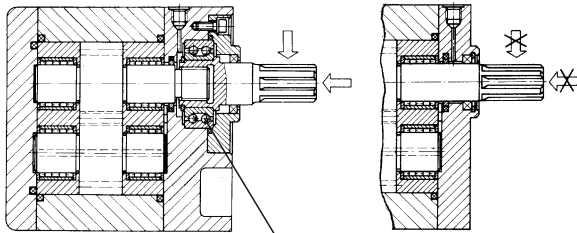
The torque is transferred by flexible coupling. There must be no radial or axial forces to the motor. When the torque is transferred by V-belt or gear wheel, driven is then must be motor with additional bearing in front cover (flange) chosen.

SMER OBRTANJA

Motori se isporučuju za rad u oba smera obrtanja (dvosmerni). Smer se određuje posmatranjem motora sa čela izlaznog vratila i označen je strelicom na prednjem poklopcu.

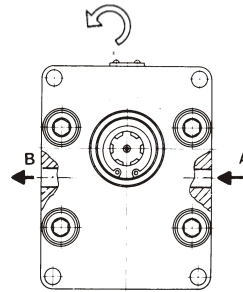
DIRECTION OF ROTATION

Clockwise or anticlockwise (looking on shaft). The pump may only be driven in the direction indicated. Direction of rotation is marked on the front cover.

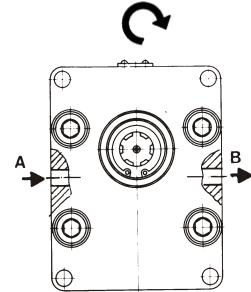


dodatni ležaj
additional bearing

Levi smer / anticlockwise

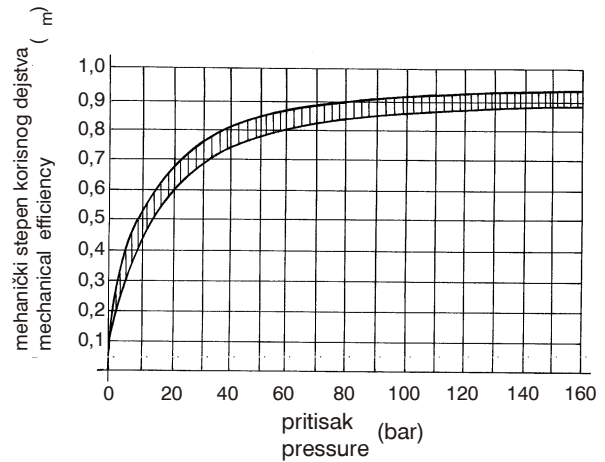
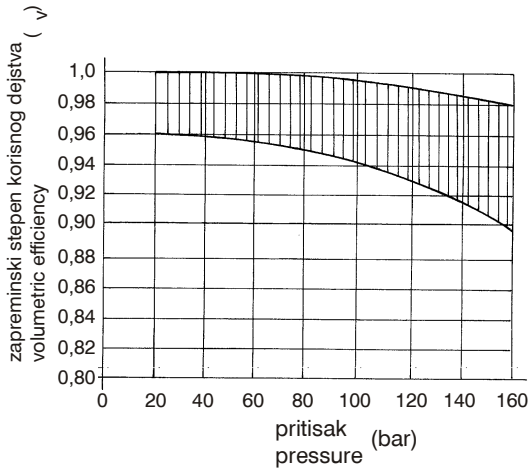


Desni smer / clockwise



KARAKTERISTIČNI DIJAGRAMI (za ulje viskoziteta 37mm²/s, 1500 o/min)

CHARACTERISTIC DIAGRAMS (for oil of 37mm²/s viscosity, speed 1500 rpm)



TEHNIČKE KARAKTERISTIKE
TECHNICAL DATA

| | | |
|--|--|---|
| Simbol Symbol | | |
| Smer obrtanja Rotation direction | levi i desni (dvosmerni) anticlockwise and clockwise (both-direction) | |
| Položaj ugradnje Mounting position | proizvoljan optional | |
| Temperatura okoline (°C) Ambient temperature | -20 ... +40 | |
| Finoća filtriranja (µm) Filtering fineness | 25 ... 150 | |
| Pritisak u drenažnom vodu (bar) Drain line pressure | 1 | |
| Radna tečnost Working fluid | mineralno ulje mineral oil | optimalni; optimal: 16 ... 90 / kratko pri startu: intermittent for starting: 800 |
| | viskozitet (mm ² /s) viscosity | |
| | temperatura (°C) temperature | |

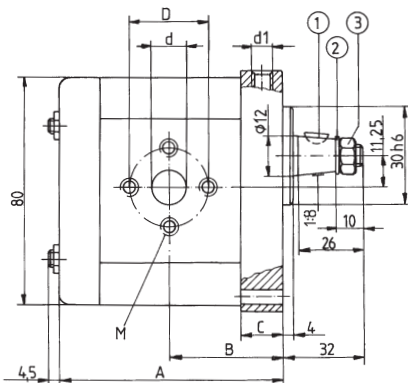
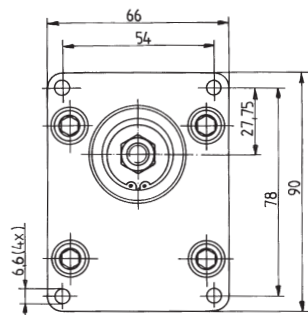
| oznaka designation | | radna zapremina displacement (cm ³) | moment torque (at p=160 bar) (daNm) | pritisak pressure | | broj obrtaja speed | | | masa mass (kg) | |
|-----------------------|-----------------------------|---|--|----------------------|-----|-------------------------------|------|------|----------------------|------|
| veličina size | dvosmerni both-direction | | | nom. | max | min | nom. | max | | |
| | | | | (bar) | | (min ⁻¹) (rpm) | | | | |
| II | * | 3125.471.33 | 1,66 | 0,42 | 160 | 200 | 750 | 1500 | 3500 | 1,0 |
| | * | 3125.472.33 | 2,66 | 0,67 | | | | | | 1,1 |
| | * | 3125.473.33 | 4,20 | 1,07 | | | | | | 1,25 |
| III | ** | 3125.474.36 | 6,66 | 1,7 | | | 500 | 1500 | 3000 | 3,2 |
| | ** | 3125.475.36 | 10,66 | 2,7 | | | | | | 3,7 |
| | ** | 3125.920.36 | 13,33 | 3,4 | | | | | | 4,0 |
| | ** | 3125.476.36 | 16,66 | 4,25 | | | | | | 4,4 |
| IV | * | 3125.477.36 | 26,66 | 6,8 | | | 500 | 1500 | 2500 | 8,4 |
| | * | 3125.478.36 | 33,33 | 8,4 | | | | | | 8,8 |
| V | * | 3125.479.27 | 42,0 | 10,68 | | | 500 | 1500 | 2000 | 13,5 |
| | * | 3125.480.27 | 53,33 | 13,56 | | | | | | 14,0 |
| | * | 3125.481.27 | 66,66 | 16,95 | | | | | | 14,5 |
| VI | * | 3125.482.27 | 83,33 | 21,19 | | | | 19,0 | | |
| | * | 3125.484.27 | 106,66 | 27,13 | | | | 20,0 | | |

- * Motori sa igličastim ležajima
Motors with the needle bearings
- ** Motori sa igličastim ležajima; kuglični ležaj u prednjem poklopcu
Motors with the needle bearings; ball bearing in front cover

UGRADNI CRTEŽ (mere u mm)

MOUNTING DRAWING (dimensions in mm)

VELIČINA II / SIZE II



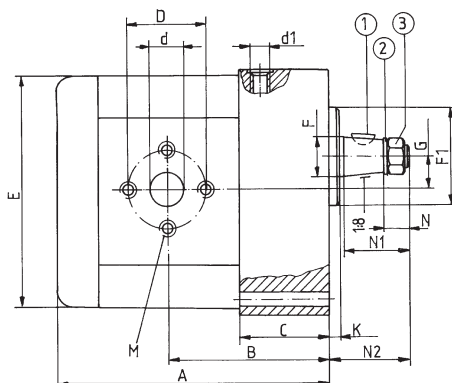
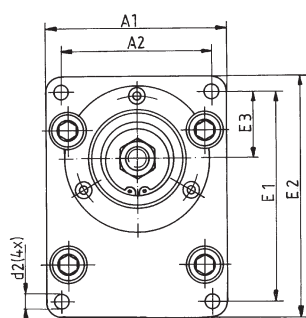
- ① klin key 3x5 JUS M.C2.050
- ② podloš. washer B8 JUS M.B2.110
- ③ navrtka nut M8 JUS M.B1.601

| oznaka designation | rad. zapremina displacement (cm ³) | A | B | C | drenaž drainage | ulaz (izlaz) inlet (outlet) | | |
|-----------------------|--|------|-------|----|--------------------|--------------------------------|-----|-------|
| | | | | | d1 | ø d | ø D | M |
| 3125.471.33 | 1,66 | 75,5 | 39,75 | 18 | M12x1,5 | 7 | 26 | M6/10 |
| 3125.472.33 | 2,66 | 78,5 | 41,25 | 18 | | 8 | 26 | |
| 3125.473.33 | 4,20 | 83 | 43,5 | 18 | | 10 | 28 | |

B

UGRADNI CRTEŽ (mere u mm)
MOUNTING DRAWING (dimensions in mm)

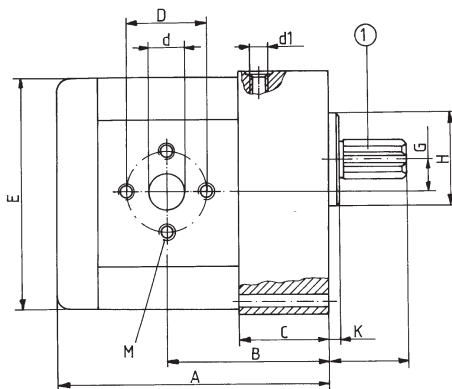
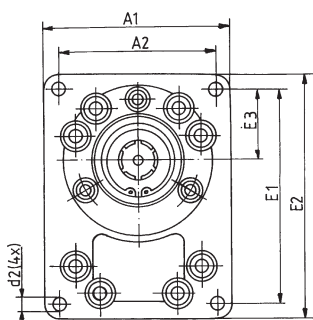
VELIČINA III, IV / SIZE III, IV



- ① klin 5x7,5 JUS M.C2.050
 key
 ② podloš. B16 JUS M.B2.110
 washer
 ③ navrtka M16 JUS M.B1.601
 nut

| oznaka designation | rad. zapremina displacement (cm ³) | A | A1 | A2 | B | C | E | E1 | E2 | E3 | F | F1 | G | N | N1 | N2 | K | d2 | ulaz (izlaz) inlet (outlet) | | | drenaž drainage |
|-----------------------|--|-----|----|-----|------|----|-------|-------|-------|------|-----|-------|-------|----|----|----|---|----|--------------------------------|----|--------|--------------------|
| | | | | | | | | | | | | | | | | | | | ∅d | ∅D | M | d1 |
| 3125.477.36 | 26,66 | 163 | 98 | 116 | 92,5 | 48 | 150 | 136 | 154 | 45,5 | ∅25 | ∅50h6 | 22,5 | 17 | 45 | 53 | 6 | 9 | 25 | 50 | M10/18 | M12x1,5 |
| 3125.478.36 | 33,33 | 168 | | | 97,5 | | | | | | | | | | | | | | | | | |
| 3125.474.36 | 6,66 | 126 | | | 72 | | | | | | | | | | | | | | | | | |
| 3125.475.36 | 10,66 | 132 | 92 | 78 | 75 | 40 | 116,5 | 104,5 | 118,5 | 36 | ∅18 | ∅40h6 | 16,25 | 13 | 35 | 41 | 5 | 9 | 12 | 30 | M6/13 | M12x1,5 |
| 3125.920.36 | 13,33 | 136 | | | 77 | | | | | | | | | | | | | | 16 | 36 | M8/16 | |
| 3125.476.36 | 16,66 | 141 | | | 79 | | | | | | | | | | | | | | 20 | 40 | M8/16 | |
| | | | | | | | | | | | | | | | | | | | 20 | 40 | M8/16 | |

VELIČINA V, VI / SIZE V, VI



- ① ozubljenje / toothing B6x23x28 DIN 5463 (SIZE V); B6x26x32 DIN 5463 (SIZE VI)

| oznaka designation | rad. zapremina displacement (cm ³) | A | A1 | A2 | B | C | E | E1 | E2 | E3 | F | G | N | K | d2 | ulaz (izlaz) inlet (outlet) | | | drenaž drainage | | | |
|-----------------------|--|-----|-----|-----|-------|----|-----|-----|-----|------|-------|------|----|---|----|--------------------------------|----|----|--------------------|--------|---------|--|
| | | | | | | | | | | | | | | | | ∅d | ∅D | M | d1 | | | |
| 3125.479.27 | 42,0 | 192 | | | 111 | | | | | | | | | | | | | | 25 | 50 | | |
| 3125.480.27 | 53,33 | 198 | 140 | 120 | 114 | 55 | 181 | 160 | 181 | 52,5 | ∅60h6 | 27,5 | 63 | 8 | 11 | | | 32 | 62 | M10/18 | M14x1,5 | |
| 3125.481.27 | 66,66 | 205 | | | 117,5 | | | | | | | | | | | | | | | | | |
| 3125.482.27 | 83,33 | 208 | 160 | 134 | 121,5 | 65 | 218 | 192 | 218 | 63,5 | ∅70h6 | 32,5 | 66 | 8 | 14 | | | 40 | 72 | M12/20 | M14x1,5 | |
| 3125.484.27 | 106,66 | 216 | | | 125,5 | | | | | | | | | | | | | | | | | |