


TEHNI^KE KARAKTERISTIKE
TECHNICAL DATA

OP[TE
GENERAL

Simbol Symbol	
Priklju-ivanje vodova Line connection	otvori sa navojem threaded ports
Smer obrtanja Rotation direction	levi ili desni anticlockwise or clockwise
Polo`aj ugradnje Mounting position	proizvoljan optional
Na-in pogona Drive mode	obrnim momentom (radijalne i aksijalne sile nisu dozvoljene) without additional bearing (radial and axial forces not permissible)
Temperatura okoline (°C) Ambient temperature	-20 ... +40

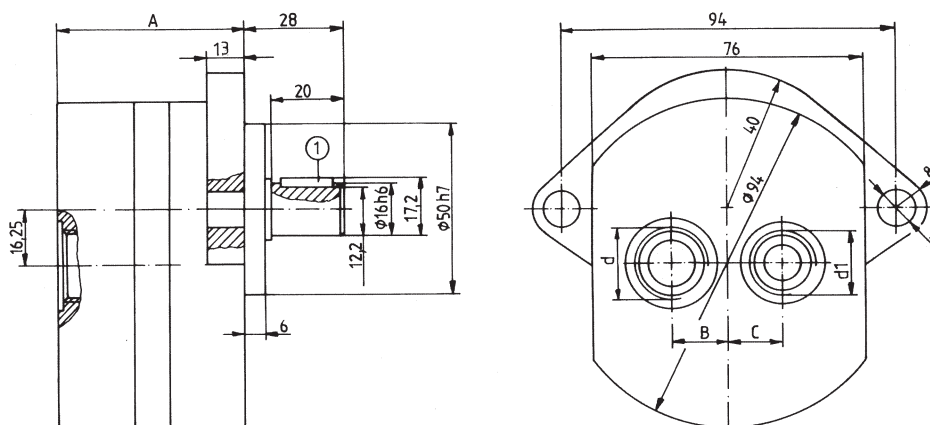
HIDRAULI^KE
HYDRAULIC

Fino}a filtriranja (µm) Filtering fineness	usisni vod suction line	150
	potisni vod pressure line	25
Potpritisak u usisnom vodu Suction line permissible subpressure (bar)		0,25
Nadpritisak u usisnom vodu Suction line permissible overpressure (bar)		0,50

HIDRAULI^KE
HYDRAULIC

oznaka designation		radna zapremina displacement (cm ³)	pritisak pressure		broj obrtaja speed		radna te-nost working fluid		masa mass (kg)
			nom.	max	min	max	viskozitet viscosity	temperatura temperature	
levi smer anticlockwise	desni smer clockwise		(bar)		(min ⁻¹) (rpm)		(mm ² /s)	(°C)	
3115.266.37S	3115.266.38S	6,6	20	30	500	2100	mineralno ulje mineral oil 16 ... 90	-20 ... +80	2,0
3115.266.39S	3115.266.40S	6,6							1,4
3115.913.37S	3115.913.38S	8,0							1,4
3115.820.37S	3115.820.38S	14,0							2,2
3115.269.37S	3115.269.38S	26,66							2,7
3115.271.37S	3115.271.38S	42,0							3,1
3115.272.37S	3115.272.38S	50,0							3,5
3115.273.37S	3115.273.38S	66,66							3,7
3115.276.37S	3115.276.38S	106,66	5,5						
3115.820.37S VT	3115.820.38S VT	14,0	20	30	500	2100	mineralno ulje mineral oil 16 ... 90	-15 ... +120	2,2
3115.271.37S VT	3115.271.38S VT	42,0							3,1
3115.273.37S VT	3115.273.38S VT	66,66							3,7
3115.820.37S UK	3115.820.38S UK	14,0	20	30	500	2100	ulje za ko-nice (na bazi glikola) brake oil (glycol based) 16 ... 90	-20 ... +80	2,2

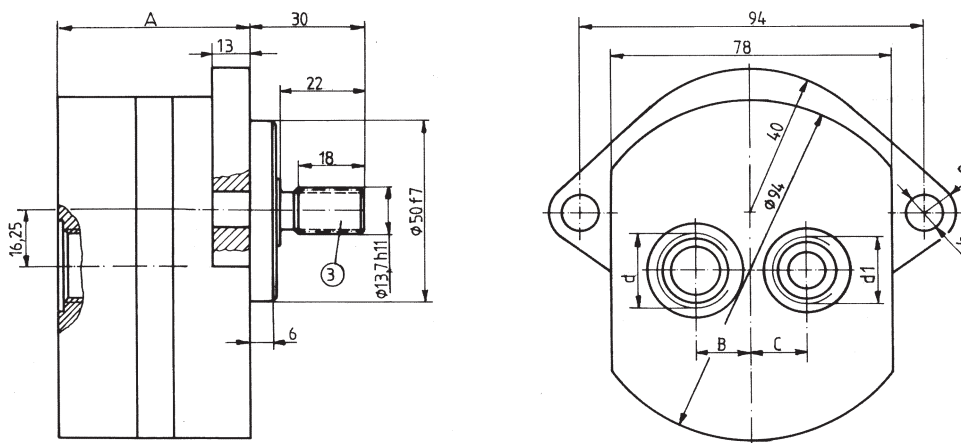
UGRADNI CRTE@ (mere u mm)
MOUNTING DRAWING (dimensions in mm)



Napomena: crte`om je prikazana pumpa levog smera, kod desnog smera priklj. otvori menjaju mesta.
Note: Pump with anticlockwise rotation - as shown in drawing, for clockwise rotation inlet and outlet port changed

① Klin/ Key A5x5x16 JUS M.C.2.062

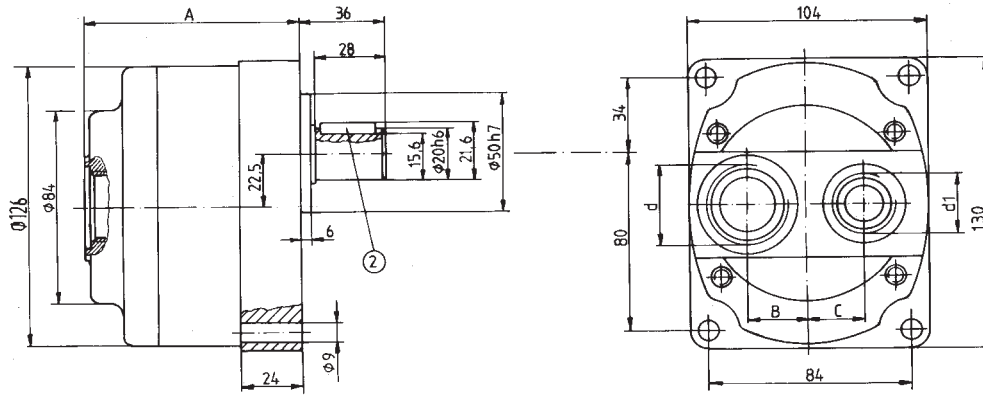
Oznaka Designation		Rad. zapremina Displacement (cm ³)	A	B	C	Usisni otvor Inlet port	Potisni otvor Outlet port
Levi/ Anticlockwise	Desni/ Clockwise					d	d1
3115.266.37S	3115.266.38S	6,6	59	18	18	M18x1,5	M16x1,5
3115.913.37S	3115.913.38S	8,0	61,3	18	18	M18x1,5	M16x1,5
3115.820.37S	3115.820.38S	14,0	71,3	18	18	M27x2	M18x1,5
3115.820.37S VT	3115.820.38S VT	14,0	71,3	18	18	M27x2	M18x1,5
3115.820.37S UK	3115.820.38S UK	14,0	71,3	18	18	M27x2	M18x1,5



Napomena: crte`om je prikazana pumpa levog smera, kod desnog smera priklj. otvori menjaju mesta.
Note: Pump with anticlockwise rotation - as shown in drawing, for clockwise rotation inlet and outlet port changed

③ Ozubljenje/ Tothing W14x1,5x10f DIN 5480

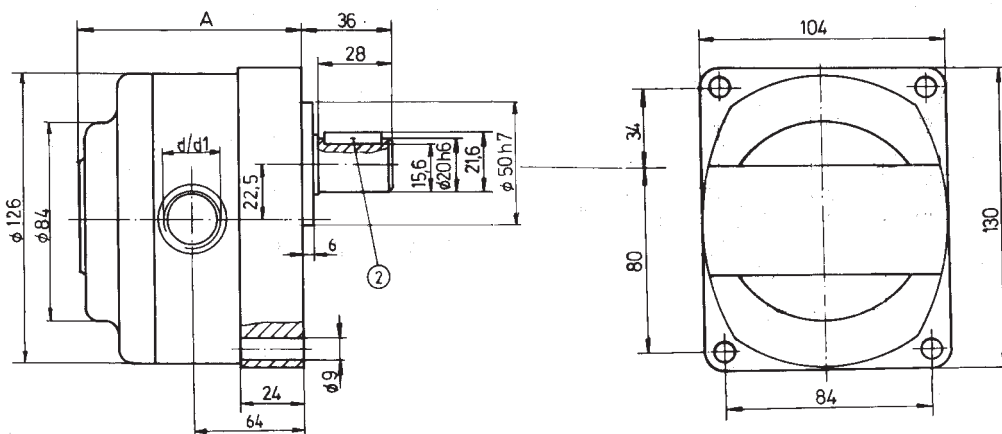
Oznaka Designation		Rad. zapremina Displacement (cm ³)	A	B	C	Usisni otvor Inlet port	Potisni otvor Outlet port
Levi/ Anticlockwise	Desni/ Clockwise					d	d1
3115.266.39S	3115.266.40S	6,6	59	18	18	M18x1,5	M16x1,5



Napomena: crte`om je prikazana pumpa levog smera, kod desnog smera priklj. otvori menjaju mesta.
 Note: Pump with anticlockwise rotation - as shown in drawing, for clockwise rotation inlet and outlet port changed

② Klin/ Key A6x6x22 JUS M.C2.062

Oznaka Designation		Rad. zapremina Displacement (cm ³)	A	B	C	Usisni otvor Inlet port	Potisni otvor Outlet port
Levi/ Anticlockwise	Desni/ Clockwise					d	d1
3115.269.37S		26,66	73	27,5	26	M33x2	M26x1,5
	3115.269.38S			26	27,5		
3115.271.37S VT		42,0	83	27,5	26	M42x2	M26x1,5
	3115.271.38S VT			26	27,5		
3115.271.37S		42,0	83	27,5	26	M42x2	M26x1,5
	3115.271.38S			26	27,5		
3115.272.37S		50,0	91	27,5	26	M42x2	M26x1,5
	3115.272.38S			26	27,5		
3115.273.37S		66,66	102	27,5	26	M42x2	M33x2
	3115.273.38S			26	27,5		
3115.273.37S VT		66,66	102	27,5	26	M42x2	M33x2
	3115.273.38S VT			26	27,5		



Napomena: crte`om je prikazana pumpa levog smera, kod desnog smera priklj. otvori menjaju mesta.
 Note: Pump with anticlockwise rotation - as shown in drawing, for clockwise rotation inlet and outlet port changed

② Klin/ Key A6x6x22 JUS M.C2.062

Oznaka Designation		Rad. zapremina Displacement (cm ³)	A	Usisni otvor Inlet port	Potisni otvor Outlet port
Levi/ Anticlockwise	Desni/ Clockwise			d	d1
3115.276.37S	3115.276.38S	106,66	130	M42x2	M33x2