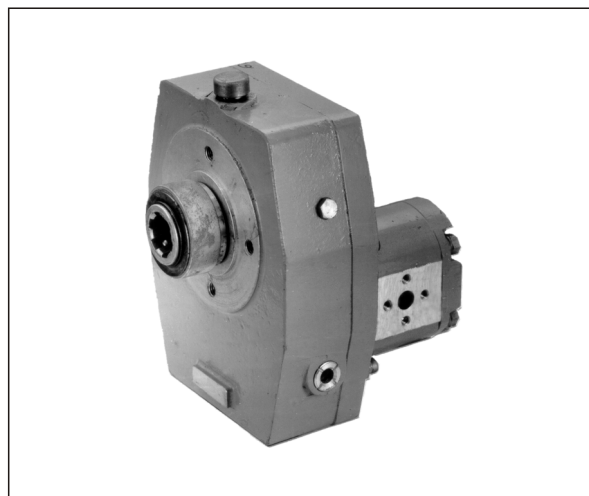


prva desetletka
HYDRAULICS

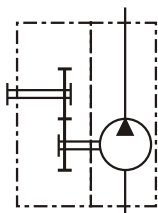
Zupčaste pumpe sa multiplikatorom 3100...MB

Gear pumps with gear box 3100...MB

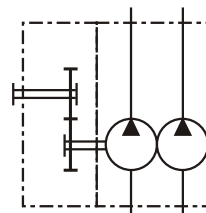
- Multiplikator povećava broj obrtaja-omogućena primena pumpe i za mali pogonski (ulazni) broj obrtaja
- Dve varijante isporuke:
 1. sklop: zupčasta pumpa (standard) + multiplikator
 2. sklop: zupčasta pumpa (dvostrujna) + multiplikator
- Primena: naročito pogodna kod pljoprivrednih mašina. U ostalim slučajevima obratiti pažnju da obrtni moment bude u granicama dozvoljenog i da broj obrtaja odgovara preporučenim vrednostima.
- The gear box multiplies input speed to the gear pump, so the gear pump may be applied by low drive speed
- Two assemblies of the gear pump-gear box can be delivered:
 1. with standard gear pump
 2. with double gear pump
- Application: especially suitable for agricultural machines. In other cases, attention has to be paid to recommended speeds and torques.



Symbol: sklop zupčasta pumpa (standard) + multiplikator
Symbol: assembly gear pump (standard) + gear box



Symbol: sklop zupčasta pumpa (dvostrujna) + multiplikator
Symbol: assembly double gear pump + gear box



TEHNIČKE KARAKTERISTIKE TECHNICAL DATA

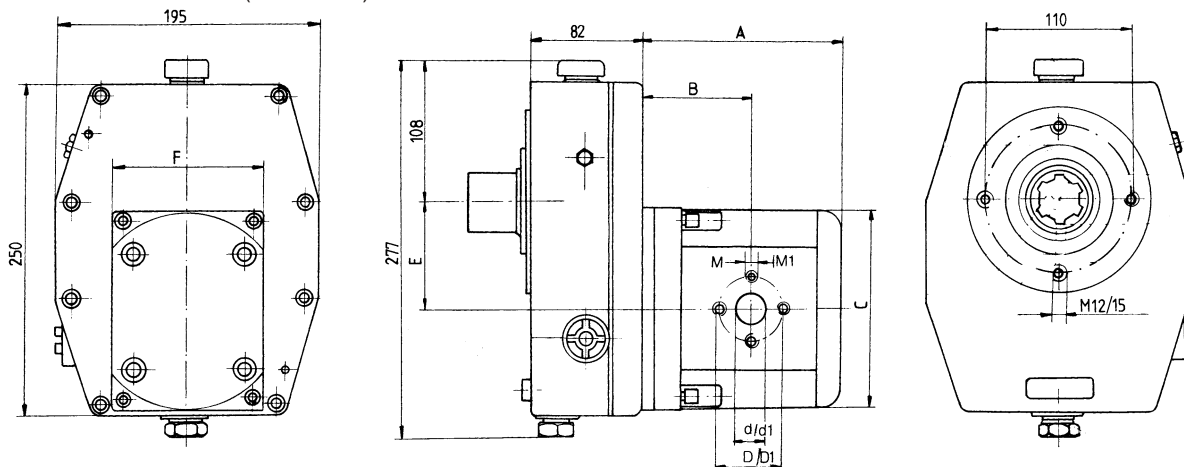
Smer obrtanja Rotation direction	levi anticlockwise	
Položaj ugradnje Mounting position	<p>NORMALNI NORMAL</p> <p>oduška vent plug nivo ulja oil level začepni vijak plug</p>	<p>OBRNUTI REVERSED</p> <p>oduška vent plug nivo ulja oil level začepni vijak plug</p>
Temperatura okoline (°C) Ambient temperature	-20 ... +40	
Radna tečnost Working fluid	mineralno ulje mineral oil viskozitet viscosity (mm ² /s) temperatura temperature (°C)	optimalni: optimal: 16 ... 90 / kratko pri startu: intermittent for starting: 800 -20 ... +80

Oznaka/Designat.	radna zapremina displacement (cm ³)	Pritisak Pressure		broj obrtaja speed (min ⁻¹) (rpm)	moment torque (daNm)	Masa Mass (kg)
		nom	max			
3100.475.29MB	10,66	175	210	160 ... 810	max 15	14,0
3100.475.80MB	10,66					14,0
3100.920.80MB	13,33					14,5
3100.930.96MB	20,3					17,0
3100.477.90MB	26,66					17,0
3100.477.92MB	26,66					17,0
3100.478.90MB	33,33					17,5
3100.478.92MB	33,33					17,5
3100.217.92MB	26,66 + 16,66					21,5
3100.259.92MB	33,33 + 10,66					22,2

A

UGRADNI CRTEŽ (mere u mm)
MOUNTING DRAWING (dimensions in mm)

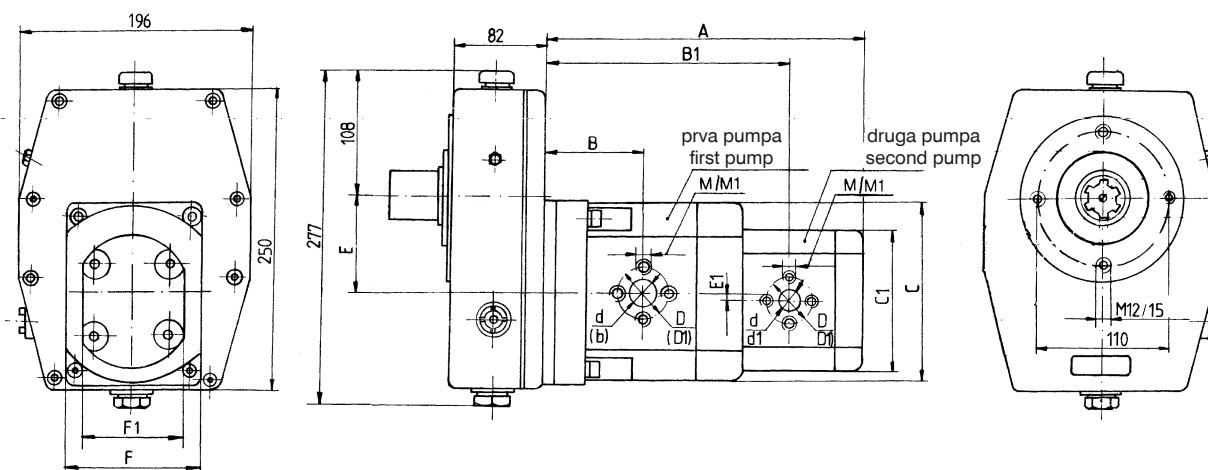
SKLOP: ZUPČASTA PUMPA (STANDARD) + MULTIPLIKATOR
 ASSEMBLY: GEAR PUMP (STANDARD) + GEAR BOX



Oznaka/ Designat.	A	B	C	E	F	Usisni otvor/ Inlet port			Potisni otvor/ Outlet port			Ulazno vratilo Input shaft ^{*)}
						Ød	ØD	M	Ød	ØD1	M1	
3100.475.29MB	125	66	116,5	86	92	16	36	M8/16	10	28	M6/16	type I
3100.475.80MB	125	66	116,5	86	92	16	36	M8/16	10	28	M6/16	type III
3100.920.80MB	129	68	116,5	86	92	20	40	M8/16	12	30	M8/16	type III
3100.930.96MB	146	78	150	79,5	116	25	50	M10/18	18	40	M8/16	type I
3100.477.90MB	151	80,5	150	79,5	116	25	50	M10/18	18	40	M8/16	type I
3100.477.92MB	151	80,5	150	79,5	116	25	50	M10/18	18	40	M8/16	type II
3100.478.90MB	156	83	150	79,5	116	25	50	M10/18	20	40	M8/16	type I
3100.478.92MB	156	83	150	79,5	116	25	50	M10/18	20	40	M8/16	type II

*) Videti naslov **Multiplikator 3100**
 See name **Gear box 3100**

SKLOP: ZUPČASTA PUMPA (DVOSTRUJNA) + MULTIPLIKATOR
 ASSEMBLY: DOUBLE GEAR PUMP + GEAR BOX



Oznaka/ Designat.	A	B	B1	C	C1	E	E1	F	F1
3100.217.92MB	261	80,5	199,5	150	116,5	79,5	6,25	116	92
3100.259.92MB	257	83	200	150	116,5	79,5	6,25	116	92

Oznaka/ Designat.	Prva pumpa/ First pump						Druga pumpa/ Second pump						Ulazno vratilo Input shaft ^{*)}
	Usisni otvor/ Inlet port			Potisni otvor/ Outlet port			Usisni otvor/ Inlet port			Potisni otvor/ Outlet port			
	d	D	M	d1	D1	M1	d	D	M	d1	D1	M1	
3100.217.92MB	25	50	M10/18	18	40	M8/16	20	40	M8/16	12	30	M6/16	type II
3100.259.92MB	25	50	M10/18	20	40	M8/16	16	36	M8/16	10	28	M6/16	type I

*) Videti naslov **Multiplikator 3100**
 See name **Gear box 3100**