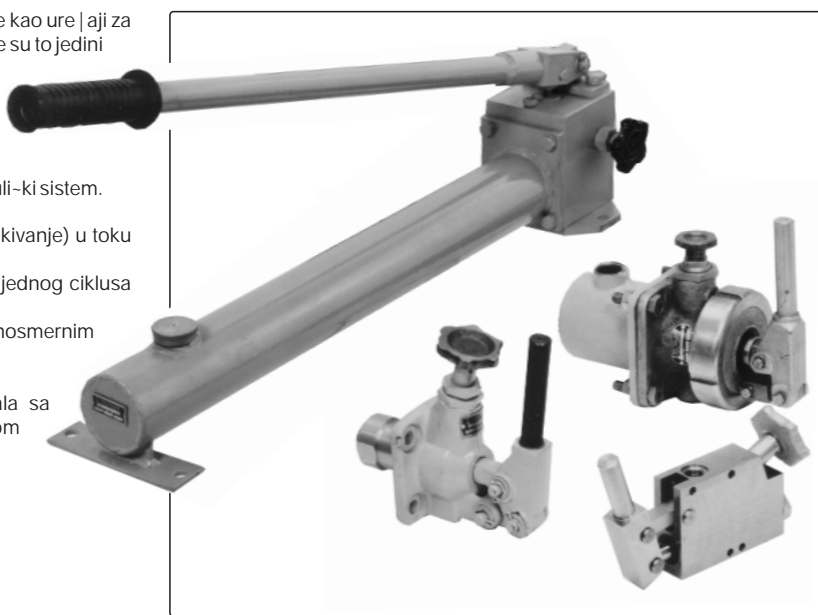


**prva desetletka**  
HYDRAULICS

# Ru- ne pumpe Hand pumps

KLIPNE, VISOKOG PRITISKA, ZA OP[ TE I POSEBNE NAMENE  
PISTON PUMP, HIGH PRESSURE, FOR GENERAL AND SPECIAL PURPOSE

- Ru- ne pumpe se primenjuju u raznim sistemima naj- e{ }e kao ure | aji za rezervu kada motorne pumpe otka` u, ali ima i sistema gde su to jedini izvori hidraull- ke energije.
- Pumpe su u ve}ini slu- ajeva opremljene odgovaraju}im ventilima za ograni- enje pritiska i rezervoarima za ulje a neka od re{enja imaju jedan ili dva razvodna ventila. Tako je sa ovim ru- nim pumpama, uz dodatak cilindra kao izvr{nih ure | aja mogu}e realizovati kompletan hidrauli- ki sistem. Postoje dva tipa pumpi:
  - jednostepene pumpe sa protokom (usisavanje + potiskivanje) u toku jednog ciklusa
  - dvostepene pumpe koje ostvaruju dva protoka u toku jednog ciklusa zavisno od pritiska
- PPT ru- ne pumpe mogu da se koriste u sistemima sa jednosmernim ili dvosmernim cilindrima
- Ru- ne pumpe obezbe | uju visoku pouzdanost u radu
- Pumpe su proizvedene od visoko kvalitetnih materijala sa odgovaraju}om termi- kom obradom i galvanskom za{titom
- Radna te- nost:
  - mineralno hidrauli- ko ulje
  - viskozitet 20 ... 400 mm<sup>2</sup>/s
  - temperatura -20 do +70°C

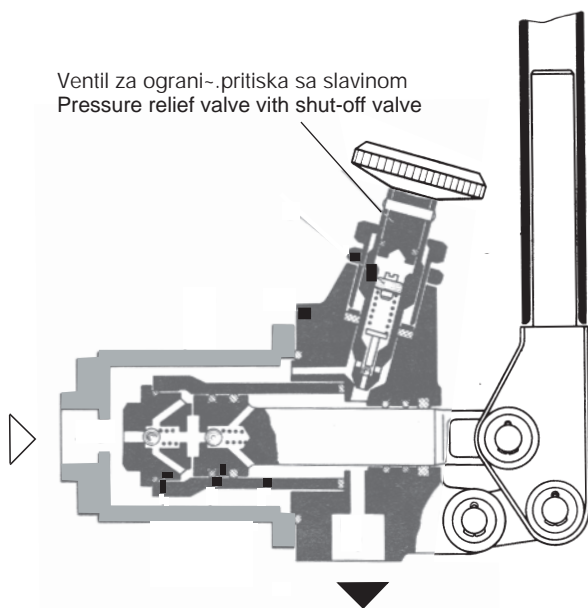


- They are found in a number of systems, mainly as a substitute in case of a motor pump failure, but there are also systems in which they are the sole source of energy
- Most of pumps include appropriate pressure relief valves and working liquid tanks, and some types include one or two directional valves. Thus, it is possible to construtc a complete hydraulic system including a hand pump and cylinders as executors
- Types of the pumps:
  - one stage pumps with flow (suction + pressure) at one cycle
  - two stage pumps with two flows at one cycle, depends of pressure
- PPT hand pumps can be applied to system including single - acting of double - acting cylinders
- Hand pumps provides for high operating reliability
- These pumps are manufactured from high quality materials, adequately heat treated and electro - plated.

- Working fluid:
  - mineral hydraulic oil
  - viscosity 20 ... 400 mm<sup>2</sup>/s
  - temperature -20 to +70°C

PRESEK - PRINCIP RADA (ru- na pumpa 40-400/2)  
SECTION - MODE OF OPERATION (hand pump 40-400/2)

Ventil za ograni- . pritiska sa slavinom  
Pressure relief valve vith shut-off valve



A

TEHNI^KE KARAKTERISTIKE  
TECHNICAL DATA

Oznaka / Designation	40-400/1	1680800	40-508.500
Simbol Symbol			
Polo`aj ugradnje Mounting position	Proizvoljan Optional		
Kapacitet za jedan ciklus Displacement per a cycle (cm <sup>3</sup> )	24	50	5,8
Podre{eni pritisak Preset valve pressure (bar)	150	110	200
Masa / Mass (kg)	3,0	5,6	1,5

UGRADNI CRTE@ (mere u mm)  
MOUNTING DRAWING (dimensions in mm)

A

