

Radijalno klipni motori 144 - standard Radial piston motors 144 - standard

1

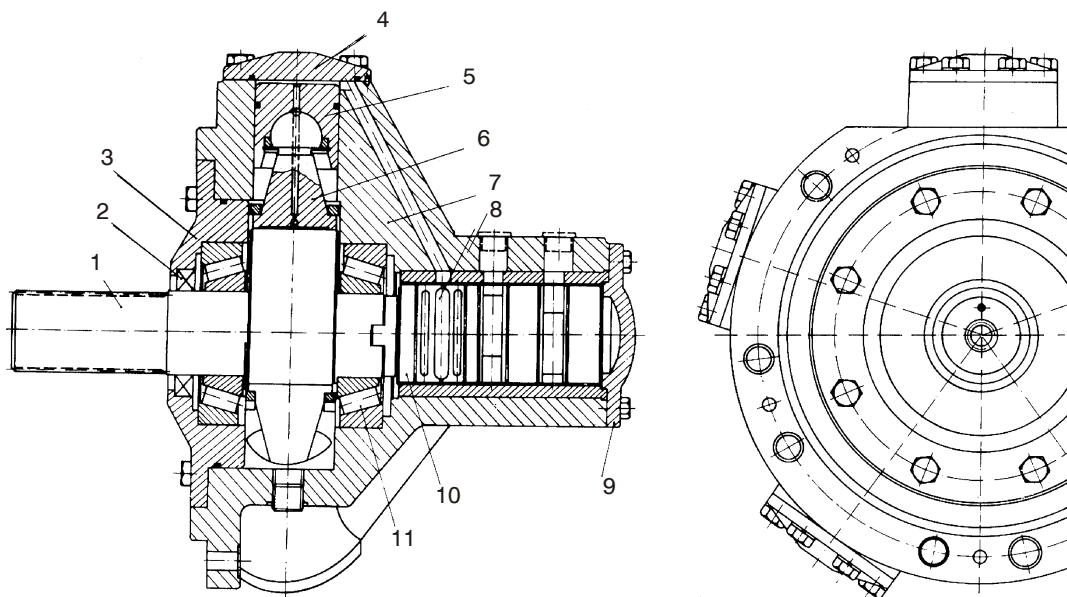
VISOKOG PRITISKA, SPOROHODI
HIGH PRESSURE, LOW SPEED

- Veliki obrtni moment
- Miran rad pri malim brojevima obrtaja
- Izlazno vratilo se može opteretiti radijalnim i aksijalnim silama
- Mogućnost brze promene smer obrtanja
- Zbog sposobnosti i velikog obrtnog momenta mogu se koristiti umesto menjača
- Motori za primenu u otvorenom i zatvorenom sistemu

- High torque
- Still operation at low speed
- Output shaft may be loaded with axial and radial forces
- Possibility of quick reversal of rotation
- Due to low speed and high torque, these motors are used instead of gear boxes
- Motors for both open and closed-loop systems



PRESEK - PRINCIP RADA SECTION - MODE OF OPERATION



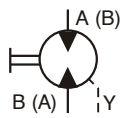
1. Pogonsko vratilo
2. Osovinska zaptivka
3. Prednji poklopac
4. Poklopac cilindra
5. Klip
6. Klipnjača
7. Kućište
8. Razvodnik
9. Poklopac
10. Spojnica
11. Ležaj

1. Drive shaft
2. Shaft seal
3. Front cover
4. Cylinder cover
5. Piston
6. Piston rod
7. Housing
8. Distributor
9. Rear cover
10. Coupling
11. Bearing

B

TEHNIČKE KARAKTERISTIKE TECHNICAL DATA

OPŠTE GENERAL

Simbol Symbol					
Oznaka Designation	144-0550	144-0750	144-1480	144-1800	144-2800
Smer obrtanja Rotation direction	levi i desni anticlockwise and clockwise				
Položaj ugradnje Mounting position	proizvoljan optional				
Temperatura okoline Ambient temperature (°C)	... +50				
Masa Mass (kg)	90	235	240	235	

HIDRAULIČKE HYDRAULIC

Radna zapremina Displacement (cm ³)	510	750	1480	1800	2800	
Pritisak Pressure (bar)	nazivni nominal	200				
	max	300				
Broj obrtaja (min ⁻¹) Speed range (rpm)	min	10				
	max	200	200	200	150	100
Sile na vratilu * Forces on shaft (N)	axial	3000	20000	20000	20000	50000
	radial	12000	40000	40000	40000	100000
Obrtni moment (max) Torque (max) (Nm)	2229	2339	6470	7869	12240	
Radna tečnost Working fluid	mineralno ulje mineral oil					
	viskozitet viscosity (mm ² /s)	15 ... 80				
	temperatura temperature (°C)	-20 ... +70				

* Za broj obrtaja 300 (min⁻¹) i pritisak 200 bar
At 300 rpm and pressure 200 bar

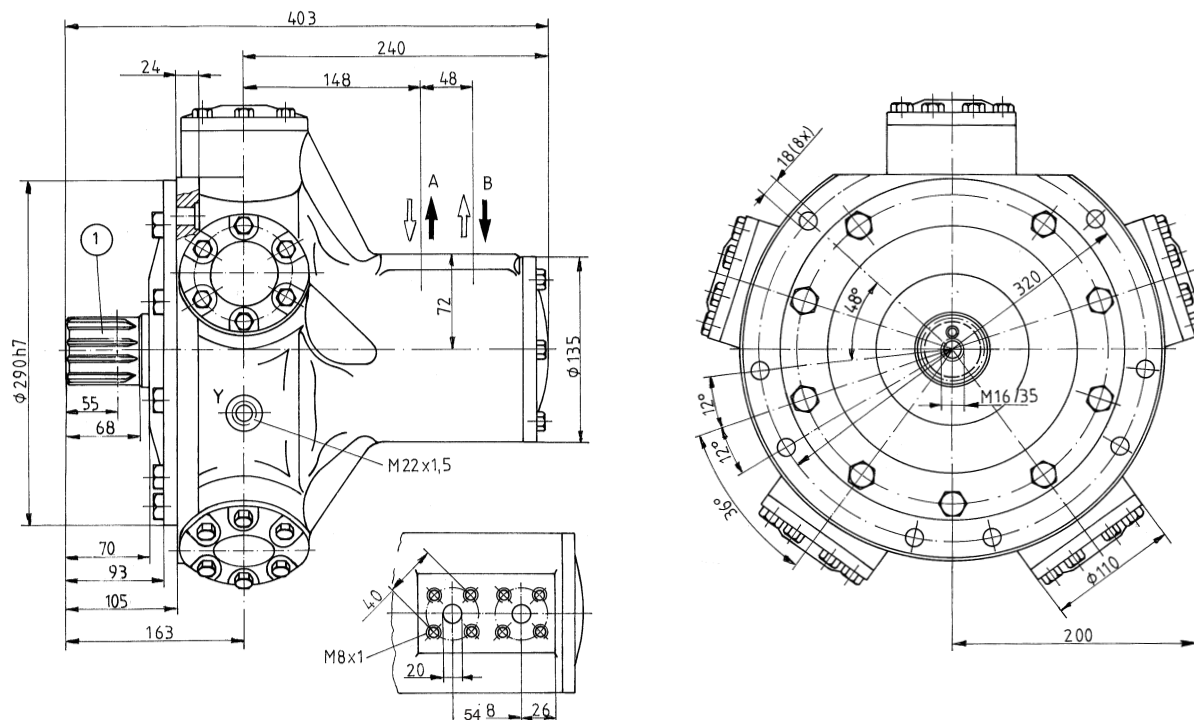
Napomena:

Note:

Motori mogu raditi i na manjim brojevima obrtaja od 10, ali pod određenim uslovima. U tom slučaju potrebna je konsultacija.
Hydraulic motors can operate at lower speed than 10 rpm, but under specified conditions. In such a case, consulting is needed.

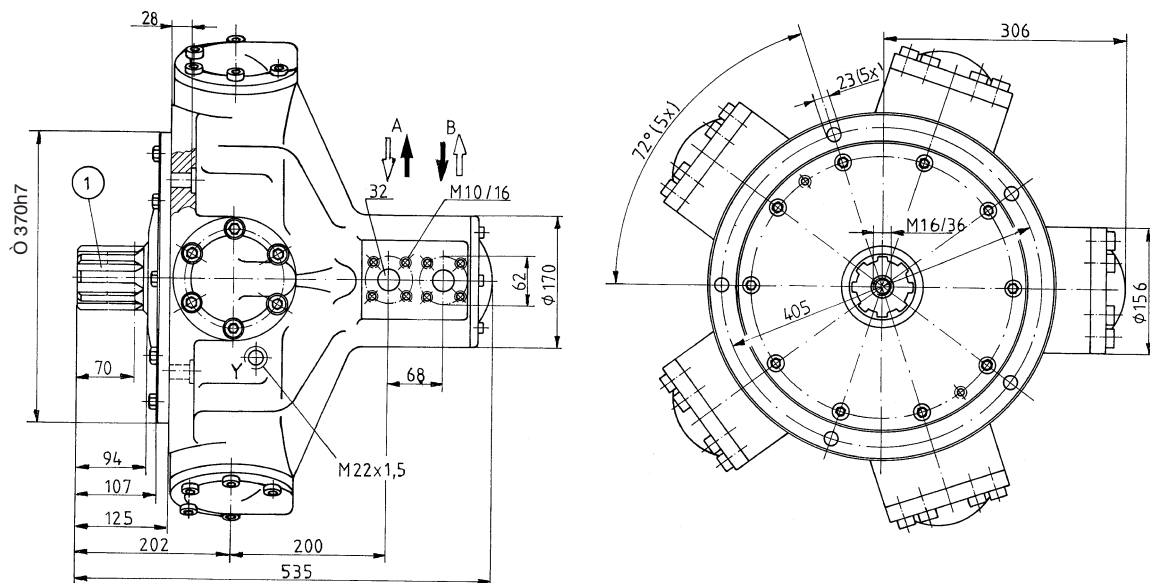
UGRADNI CRTEŽ (mere u mm)
MOUNTING DRAWING (dimensions in mm)

144-0550



① = oblik vratila/ shaft form 8x52x58 JUS M.C1.420

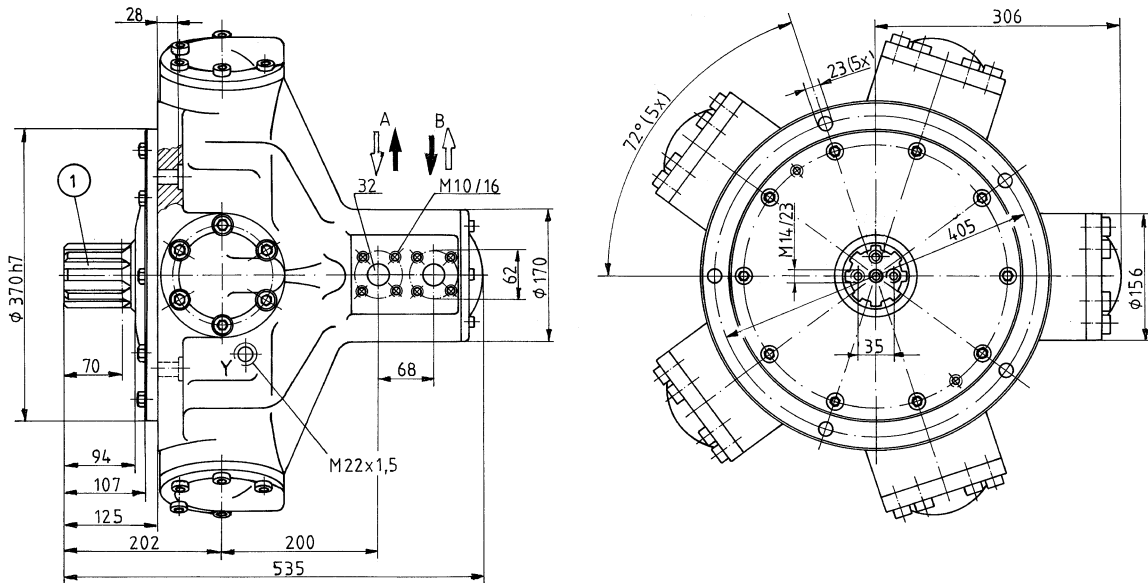
144-0750
144-1800



① = oblik vratila/ shaft form 10x82x92 JUS M.C1.420

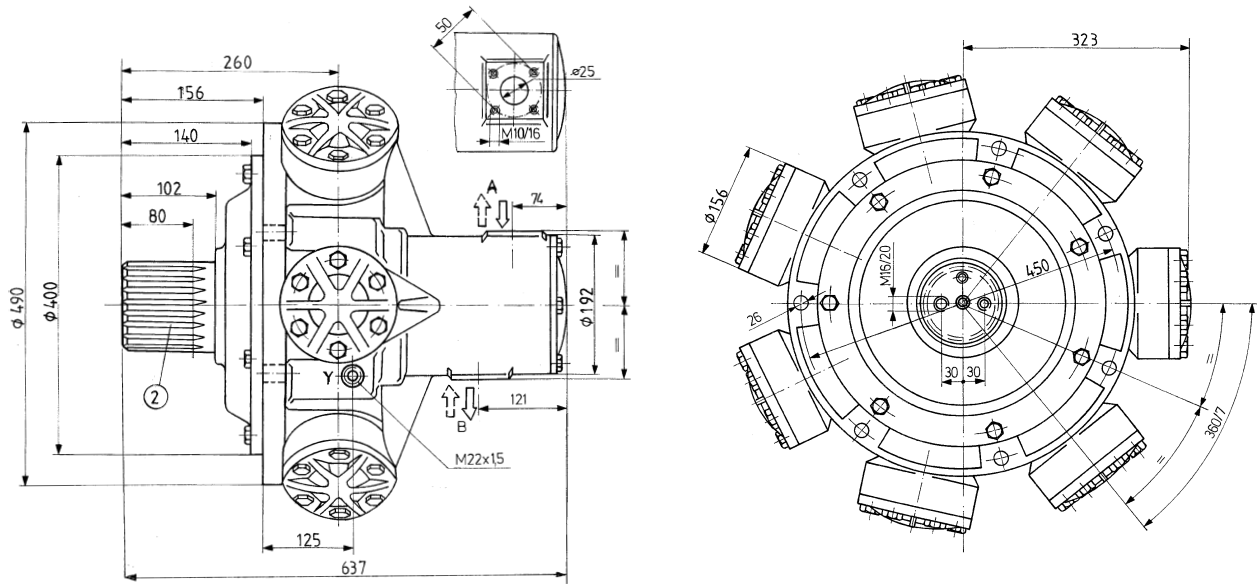
B

144-1480



① = oblik vratila/ shaft form 10x82x92 JUS M.C1.420

144-2800



② = oblik vratila/ shaft form 10x102x112 JUS M.C1.421