

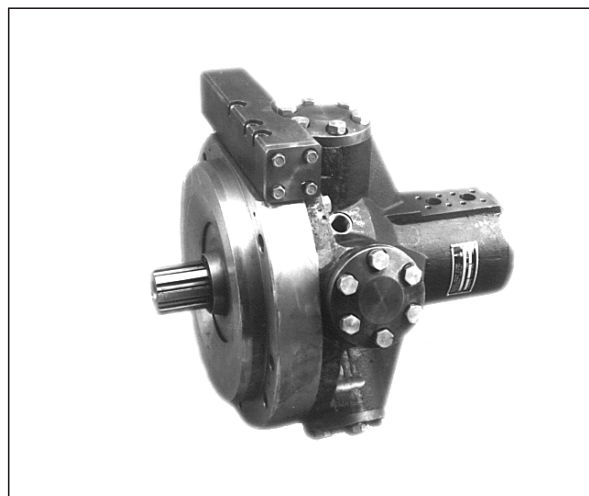
# Radialno klipni motori 144 - sa kočnicom

## Radial piston motors 144 - with brake

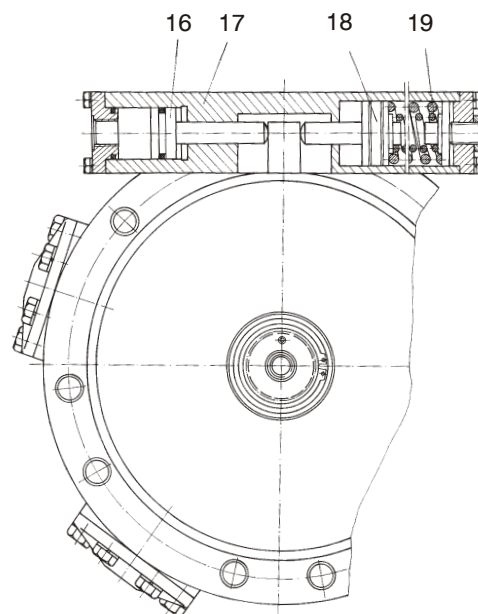
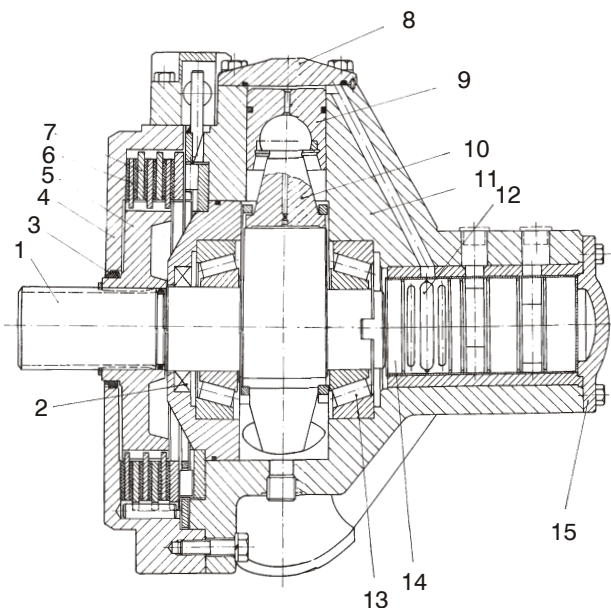
VISOKOG PRITISKA, SPOROHODI  
HIGH PRESSURE, LOW SPEED

- Veliki obrtni moment
- Miran rad pri malim brojevima obrtaja
- Izlazno vratilo se može opteretiti radialnim i aksijalnim silama
- Mogućnost brze promene smera obrtanja
- Zbog sposobnosti i velikog obrtnog momenta mogu se koristiti umesto menjača
- Motori za primenu u otvorenom i zatvorenom sistemu
- Ugrađena mehanička kočnica sa lamelama. Po prestanku hidrauličkog dejstva motor ostaje u zakočenom položaju

- High torque
- Still operation at low speed
- Output shaft may be loaded with axial and radial forces
- Possibility of quick reversal of rotation
- Due to low speed and high torque, these motors are used instead of gear boxes
- Motors for both open and closed-loop systems
- Installing mechanical brake with lamellas. After action of hydraulic fluid has been ceased, remain in braked position



### PRESEK - PRINCIP RADA SECTION - MODE OF OPERATION



1. Pogonsko vratilo
2. Osovinska zaptivka
3. Brisač
4. Poklopac
5. Međupoklopac
6. Lamelle
7. Disk
8. Poklopac cilindra
9. Klip
10. Klipnjača
11. Kućište
12. Razvodnik
13. Ležaj
14. Spojnica
15. Poklopac

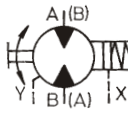
1. Drive shaft
2. Shaft seal
3. Wiper
4. Cover
5. Subcover
6. Friction disc
7. Disc
8. Cylinder cover
9. Piston
10. Piston rod
11. Housing
12. Distributor
13. Bearing
14. Coupling
15. Rear cover
16. Piston
17. Body
18. Spring holder
19. Springs

**TEHNIČKE KARAKTERISTIKE**

**TECHNICAL DATA**

OPŠTE

GENERAL

Simbol Symbol	
Oznaka Designation	144-0500
Smer obrtanja Rotation direction	levi i desni anticlockwise and clockwise
Položaj ugradnje Mounting position	proizvoljan optional
Temperatura okoline Ambient temperature (°C)	... +50
Masa Mass (kg)	131

HIDRAULIČKE

HYDRAULIC

Radna zapremina Displacement (cm <sup>3</sup> )	510
Pritisak (bar)	nominal 160 max 200
Obrtni moment (max) Torque (max) (Nm)	2229
Broj obrtaja (min <sup>-1</sup> ) min	10
Speed range (rpm) max	200
Sile na vratilu * (N) axial	3000
Forces on shaft (N) radial	5000
Kočni moment Braking torque (Nm)	max 2229
Pritisak otkočivanja Unbraking pressure (Bar)	30
Radna tečnost Working fluid	mineralno ulje mineral oil
viskozitet (mm <sup>2</sup> /s) viscosity	15 ... 80
temperatura (°C) temperature	-20 ... +70

\* Za broj obrtaja 300 (min<sup>-1</sup>) i pritisak 200 bar

At 300 rpm and pressure 200 bar

Napomena:

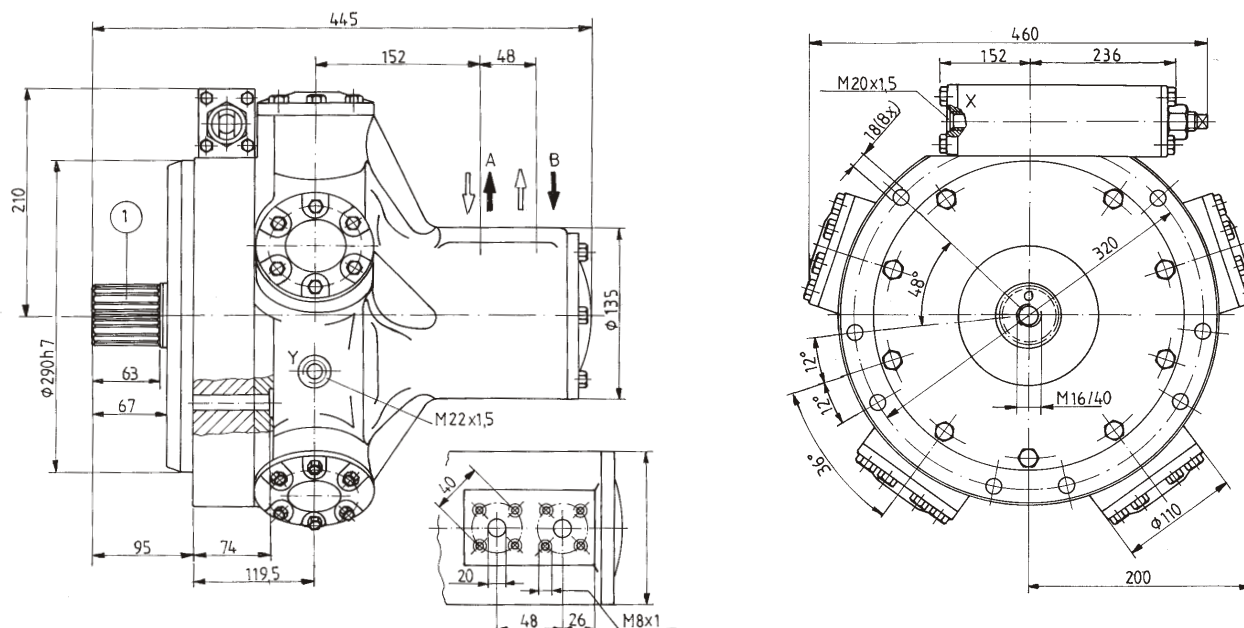
Note:

Motori mogu raditi i na manjim brojevima obrtaja od 10, ali pod određenim uslovima. U tom slučaju potrebna je konsultacija.

Hydraulic motors can operate at lower speed than 10 rpm, but under specified conditions. In such a case, consulting is needed.

**UGRADNI CRTEŽ (mere u mm)**

**MOUNTING DRAWING (dimensions in mm)**



① = oblik vratila/ shaft form 8x52x58 JUS M.C1.420