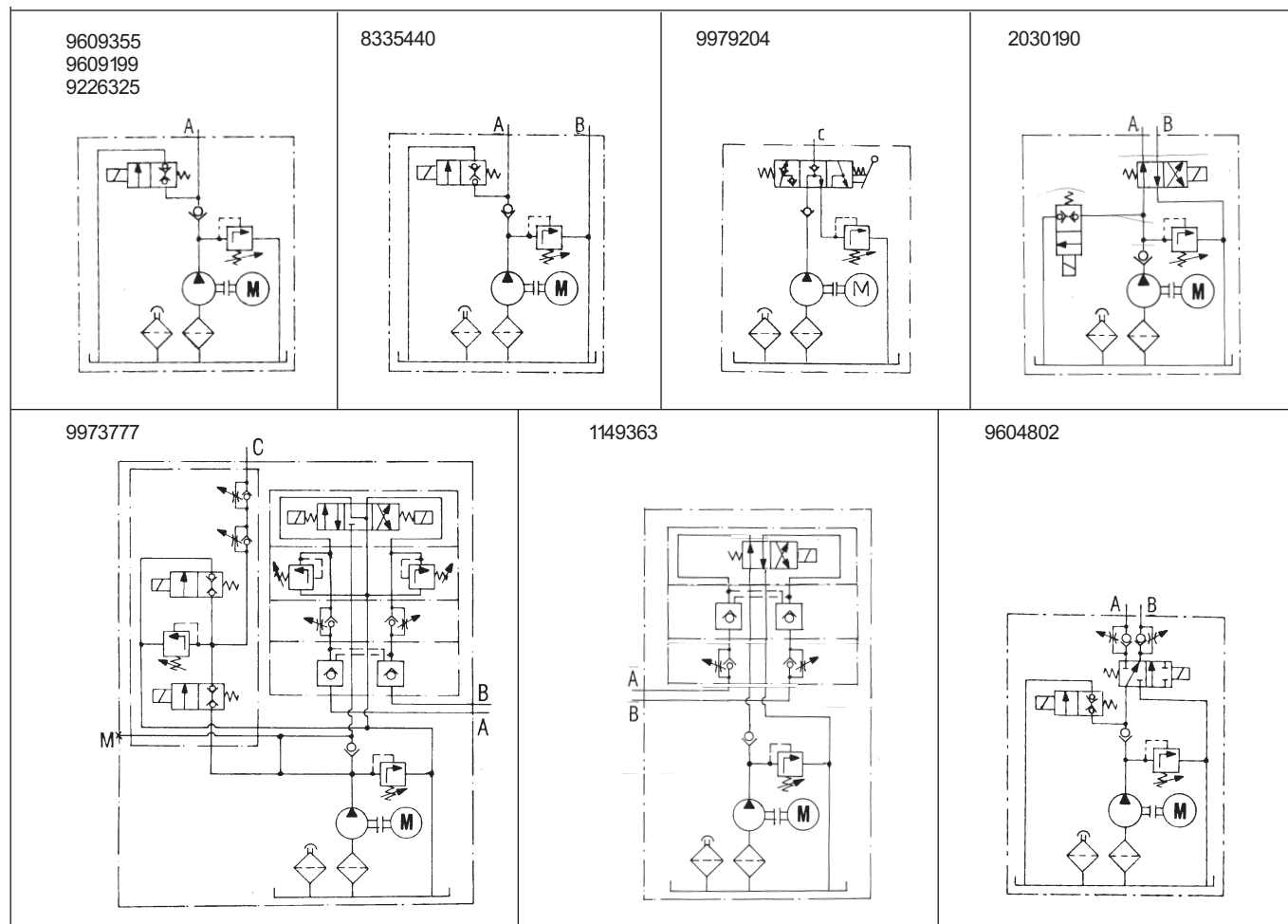
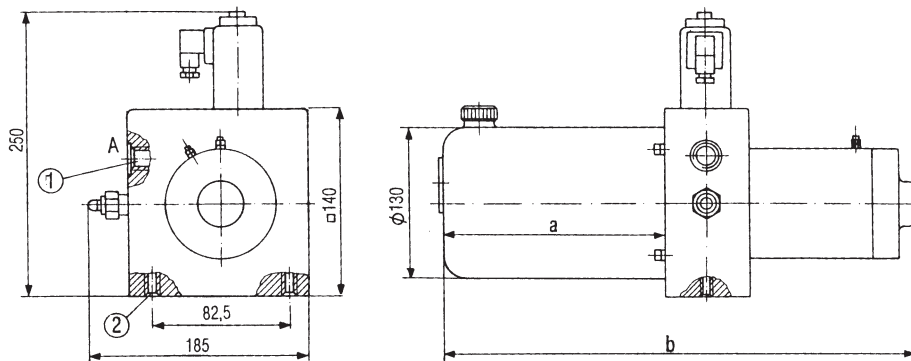


TEHNIČKE KARAKTERISTIKE
TECHNICAL DATA

Oznaka Designation	9609355	9609199	9226325	8335440	9604802	9973777	9979204	2030150	1149363	
Rezervoar- zapremina Reservoir- capacity (l)	3	3	3	2	7	7	5	5	3	
Pumpa (zupčasta) Pump (gear)	radna zapremina displacement (cm ³)	2	1,27	0,75	0,75	3	1,27	3	1,27	
	radni pritisak working pressure (bar)	140	160	140	180	160	140	140	160	
	max.pritisak max.pressure (bar)	200	200	200	200	200	200	160	250	
Elektromotor Electric motor	snaga (W) power	880	840	840	1500	2000	2000	2100	1500	
	broj obrtaja (min ⁻¹) speed (r.p.m.)	1440	2100	2100	250	2200	2200	2200	2500	
	napon voltage (V) DC	24	24	24	12	12	24	24	24	
Položaj ugradnje Mounting position	horizontalni horizontal									
Radna tečnost Working fluid	mineralno ulje mineral oil									
	viskozitet viscosity (mm ² /s)	16 .. 90								
	temperatura temperature (°C)	-20 ... +70								
Masa (kg) Mass										

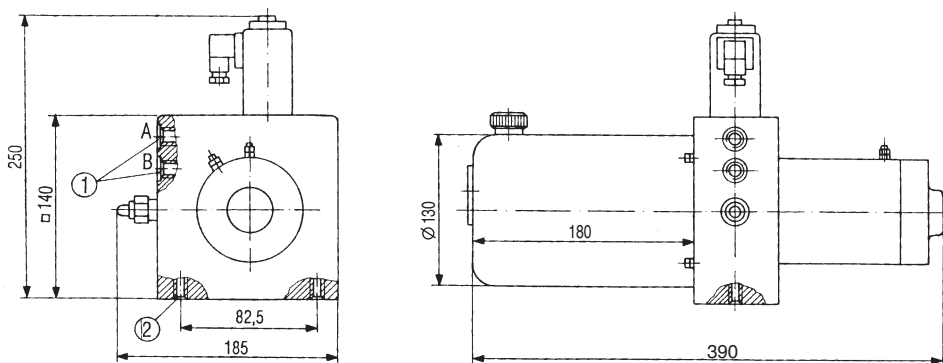
SIMBOL, OZNAKA
SYMBOL, DESIGNATION


UGRADNI CRTEŽ (mere u mm)
MOUNTING DRAWING (dimensions in mm)



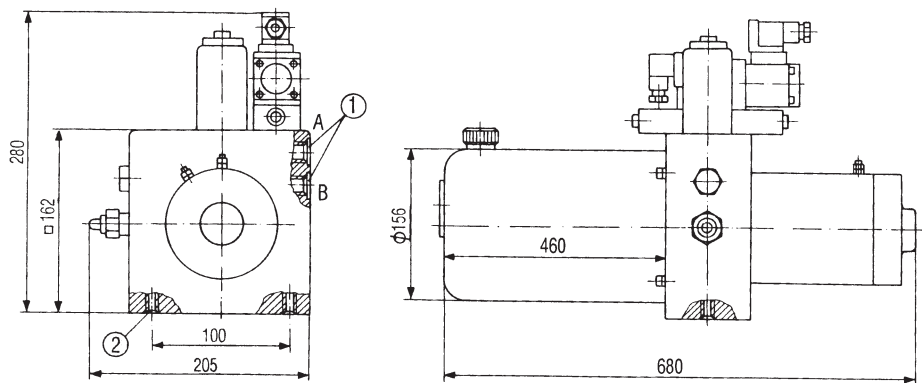
Oznaka / Designation	9609355	9609199	9226325
a	260	260	260
b	554	553	500
①	M14x1,5	M14x1,5	G 3/8"
②	M10/12 (2x)	M10/12 (2x)	M10/12 (2x)

8335440



- ① G 3/8"
- ② M10/12 (2x)

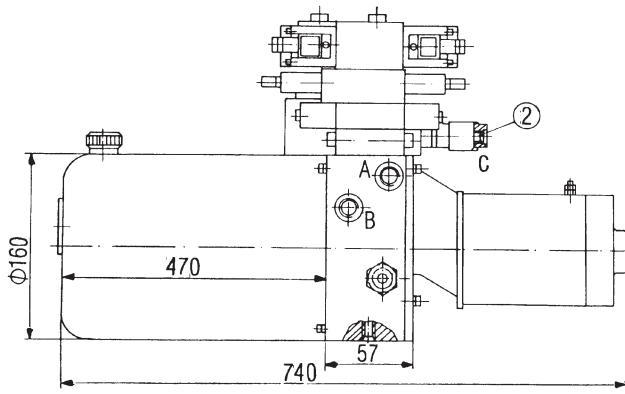
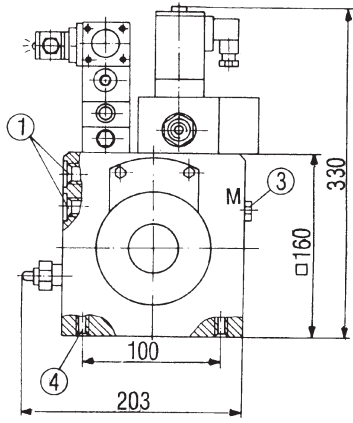
9604802



- ① M14x1,5
- ② M10/12 (2x)

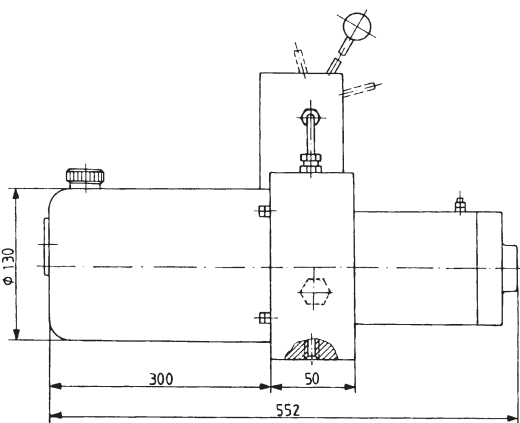
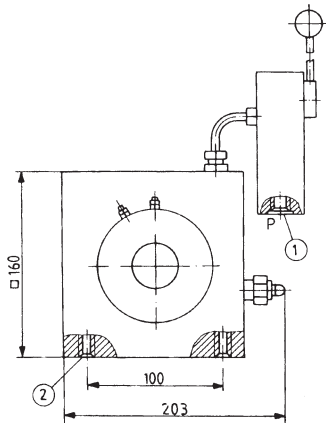
N

9973777



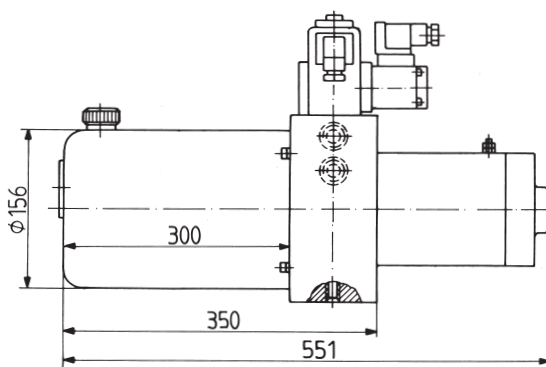
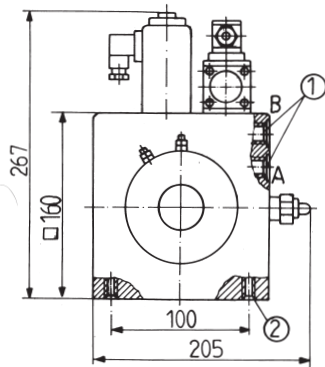
- ① M14x1,5
- ② M10/12 (2x)
- ③ M14x1,5
- ④ M10/12 (2x)

9979204



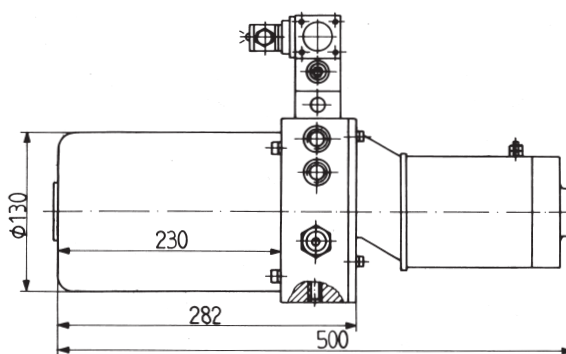
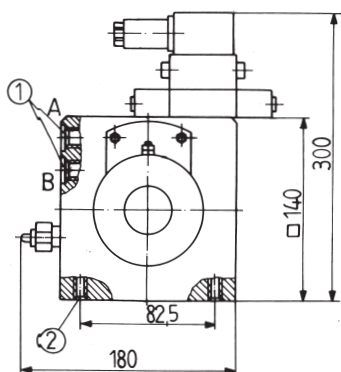
- ① M20x1,5
- ② M10/12 (2x)

2030190



- ① M16x1,5
- ② M10/12 (2x)

1149363



- ① M18x1,5
- ② M10/12 (2x)