

# KOČNE ČELJUSTI

## ZA DISK KOČNICE

### OPIS

Kočne čeljusti su namenjene za kočenje teretnih vozila, građevinskih i poljoprivrednih mašina.

To je uređaj sa jednim ili dva para kočnih cilindara, koji energiju pritiska radne tečnosti pretvara u mehanički rad, pri čemu se jedan deo energije pretvara u toplotu. Sa papuče glavnog kočnog cilindra sila pritiska se prenosi na klipove kočne čeljusti, ravnomerno ih potiskuje preko kočnih obloga na disk i ostvaruje kočenje.

Kočna čeljust se ugrađuje na objekat tako da se disk za kočenje nađe između kočnih obloga. Pri tome se mora voditi računa da vijak za ispuštavanje vazduha (oduška) bude na najvišem nivou.

Pri nalivanju radne tečnosti odviti odušku i ispustiti vazduh, zatim ponovo zaviti i pritiskom na papuču glavnog kočnog cilindra proveriti funkciju kočnice.

# BRAKE CALIPERS

M

## FOR DISC BRAKES

### DESCRIPTION

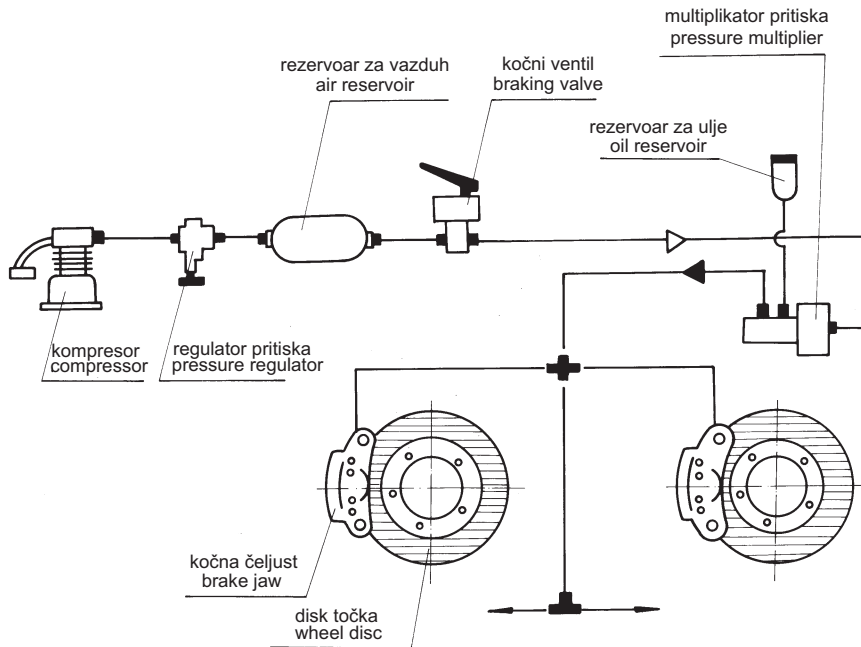
The brake jaws are designed for braking of goods vehicles, building-construction and agricultural machines.

It is a device with one or two pairs of braking cylinders and its purpose is to convert pressure energy is converted into heat. From the pedal of the master braking cylinder the pressure force is directed to brake jaw pistons which are consequently being uniformly pressed over the brake linings to the disc, thus performing braking.

The brake jaw is fitted into its position in such a way that the braking disc is set between the brake linings. Attention should be paid to the fact that air discharge screw (breather) must be at the highest point.

While working fluid is being filled in, the breather should be unscrewed and air discharged. After the procedure is completed, the breather is to be screwed again and by pushing the pedal of master braking cylinder checked whether the brake functions properly or not.

### PNEUMO-HIDRAULIČKI KOČNI SISTEM PNEUMO-HYDRAULIC BRAKING SYSTEM



### TEHNIČKE KARAKTERISTIKE TECHNICAL DATA

Symbol	[Symbol 1]		[Symbol 2]		[Symbol 3]		
Oznaka Designation	10-0700	104-0100	104-0200	104-0200/14	104-0300	73-201200	
		izvođenje L ili D (*)		design L or D (*)			
Max. pritisak Max. pressure (bar)	100	130		120	100		
Prečnik klipa Piston diameter (mm)	Ř54	Ř48	Ř60		Ř82	Ř70	
Broj klipova Number of pistons	2					4	
Dimenzije diska (mm) Disk dimensions (mm)	prečnik diameter	Ř291	Ř265	Ř375		Ř465	Ř470
	širina width	10	22	38	22	25	18
Max. sila na klipu Max. force on piston (kN)	22,9	25,55	36,75		64,2	38,5	
Masa Mass (kg)	4,6	6,0	8,0		21,0	38,0	
Radna tečnost Working fluid	ulje za kočnice brake oil JUS H.Z2.100 or SAE J-1703 f						
Položaj ugradnje Mounting positions	oduška na najvišem nivou breather at the highest level						

(\*) L - leva kočna čeljust (\*) L - left brake jaw  
D - desna kočna čeljust D - right brake jaw

### NARUČIVANJE ORDERING

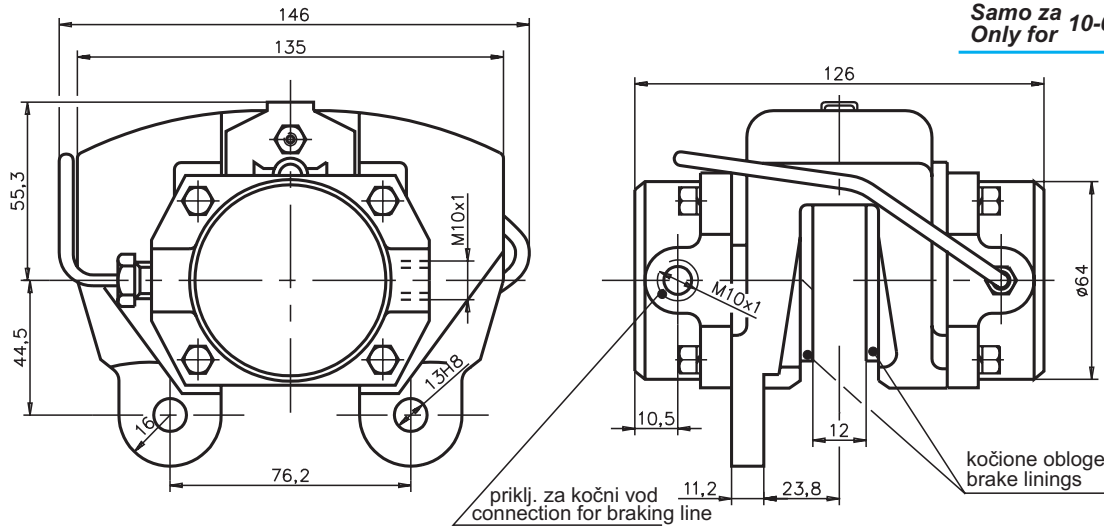
Kočne čeljusti se naručuju po oznakama iz tabele.

Primer oznake za kočnu čeljust 104-0100, levo izvođenje: **104-0100 L**

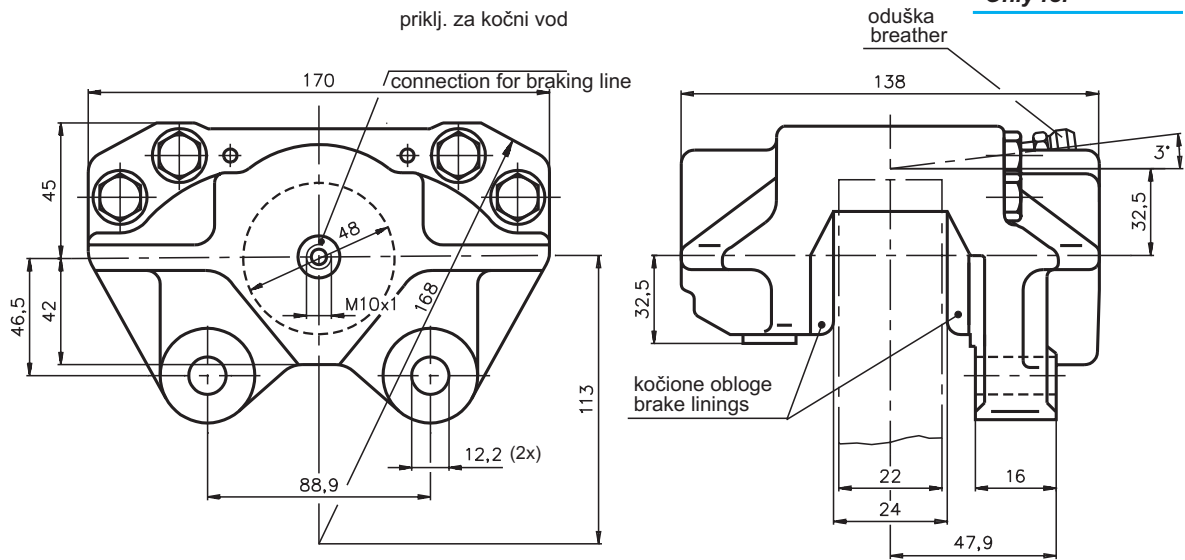
Brake jaws to be ordered according designation from the table.

Example for brake jaws designation 104-0100, left design: **104-0100 L**

*Samo za 10-0700*  
*Only for*



*Samo za 104-0100*  
*Only for*



*Samo za 104-0200*  
*Only for*

