

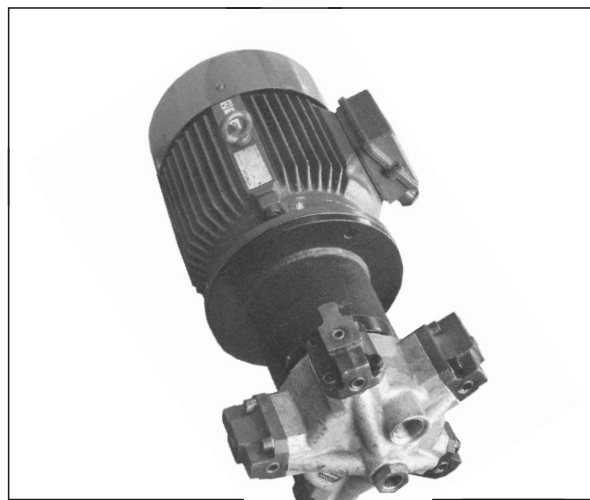
PRVA DEKLETKA
HYDRAULICS

Pumpni agregati 1PB

Pump units 1PB

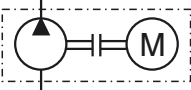
SKLOP MOTOR/ZUPČASTA PUMPA, VISOKOG PRITISKA, VERTIKALNI
MOTOR/GEAR PUMP ASSEMBLY, HIGH PRESSURE, VERTIKAL VERSION

- Pumpni agregat čini sklop pumpe, spojnice i el. motora
- Obezbeđuje pritisak i protok ulja za napajanje hidrauličkog sistema
- Kod ugradnje voditi računa o sledećem:
 - brzina proticanja ulja u usisnom vodu - 0,5 do 0,7 m/s
 - max pritisak u usisnom vodu ne sme biti veći od 0,1 bar a nadpritisak od 1 bar
 - nivo tečnosti u rezervoaru mora biti iznad pumpe
 - obavezna je ugradnja usisnog filtera
- The pump unit is assembly of the pump, coupling and el. motor
- The unit supplies oil flow and pressure for hydraulic system
- When installing the pump units, care should be taken about the following:
 - velocity of the fluid flow in suction line must be 0,5 to 0,7 m/s
 - max subpressure in the suction line must not be higher than 0,1 bar, while oper pressure must not exceed 1 bar
 - oil level in the tank must be above the pump
 - installataion on suction filter is obliged



TEHNIČKE KARAKTERISTIKE

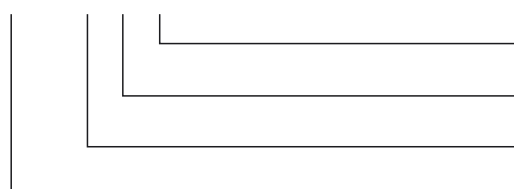
TECHNICAL DATA

Simbol Symbol		
Pumpa (zupčasta) Pump (gear)	protok flow rate (l/min)	1,2 ... 30
	broj obtaja speed (min ⁻¹ (r.p.m.))	1000
	nazivni pritisak nominal pressure (bar)	250; 320; 400; 630
	max pritisak max pressure (bar)	700
	smer obrtanja rotation direction	levi ili desni anticlockwise or clockwise
El. motor	snaga power (kW)	0,75 ... 37
	broj obtaja speed (min ⁻¹ (r.p.m.))	1000
	napon voltage (V); 50 Hz	220 / 380
	izolacija - zaštita insulation - protection	class E - IP44
	oblik form	B14 ili B5 B14 or B5
Radna tečnost Working fluid	mineralno ulje mineral oil viskozitet viscosity (mm ² /s)	16 ... 90
	temperatura temperature (°C)	-20 ... +70
Masa (kg) Mass		videti ugradni crtež see mounting drawing

OZNAČAVANJE

DESIGNATION

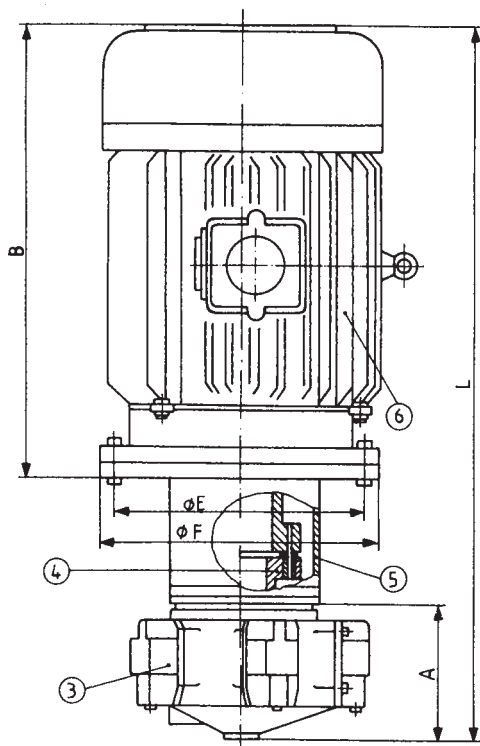
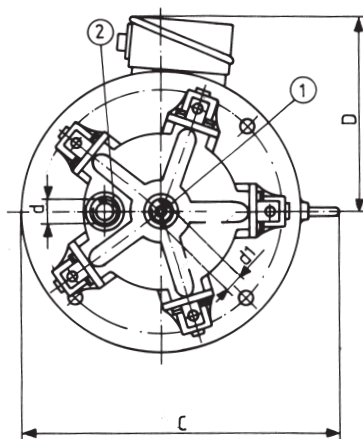
1PB.00 * . * E *



El. motor snaga
El. motor power
Izolacija
Insulation
Pritisak
Pressure
Protok
Flow rate

N

UGRADNI CRTEŽ (mere u mm)
MOUNTING DRAWING (dimensions in mm)



- ① Potisni vod
Outlet port
- ② Uisni vod
Inlet port
- ③ Pumpa
Pump
- ④ Spojnica
Coupling
- ⑤ Nosač pumpe
Pump carrier
- ⑥ Elektromotor
El. motor

Pritisak / Pressure = 250 bar

Oznaka Designation	Protok Flow (l/min)	Snaga Power (kW)	L	A	B	C	D	ØE	ØF	Uisni otvor	Potisni otvor	Masa Mass (kg)
										Inlet port d	Outlet port d1	
1PB.00.1.2.250.E0,75	1,2	0,75	457	107	260	216	-	130	160	M22x1,5	M16x1,5	
1PB.00.2.250.E1,1	2	1,1	457		285	216	-	130	160			
1PB.00.2.8.250.E1,5	2,8	1,5	520		316	236	-	165	200			
1PB.00.4.5.250.E2,2	4,5	2,2	540		336	240	-	165	200			
1PB.00.6.6.250.E3	6,6	3	652,5	150,5	369	304	189	215	250	M38x2	M22x1,5	
1PB.00.10.250.E5,5	10	5,5	690,5		407	304	189	215	250			
1PB.00.15.250.E7,5	15	7,5	792,5		488	379	236	300	350			
1PB.00.21.250.E11	21	11	836,5		532	379	236	300	350			
1PB.00.30.250.E15	30	15	903,5		599	399	256	300	350			

Pritisak / Pressure = 320 bar

Oznaka Designation	Protok Flow (l/min)	Snaga Power (kW)	L	A	B	C	D	ØE	ØF	Usisni otvor	Potisni otvor	Masa Mass (kg)
										Inlet port d	Outlet port d1	
1PB.00.4.5.320.E3	4,5	3	586	107	368	304	189	215	250	M22x1,5	M16x1,5	
1PB.00.6.6.320.E4	6,6	4	690,5	150,5	407	304	189	215	250	M33x2	M22x1,5	
1PB.00.13.320.E7,5	13	7,5	792,5		488	379	236	300	350			
1PB.00.21.320.E15	21	15	903,5		599	399	256	300	350			
1PB.00.30.320.E18,5	30	18,5	968,5		664	460	330	350	400			

Pritisak / Pressure = 400 bar

Oznaka Designation	Protok Flow (l/min)	Snaga Power (kW)	L	A	B	C	D	ØE	ØF	Usisni otvor	Potisni otvor	Masa Mass (kg)
										Inlet port d	Outlet port d1	
1PB.00.1.2.400.E1,1	1,2	1,1	482	107	285	216	-	130	160	M22x1,5	M16x1,5	
1PB.00.2.400.E1,5	2	1,5	520		316	236	-	165	200			
1PB.00.2.8.400.E2,2	2,8	2,2	540		336	240	-	165	200			
1PB.00.4.5.400.E4	4,5	4	624		406	304	189	215	250			
1PB.00.6.6.400.E5,5	6,6	5,5	690,5	150,5	406	304	189	215	250	M33x2	M22x1,5	
1PB.00.10.400.E7,5	10	7,5	792,5		488	379	236	300	350			
1PB.00.13.400.E11	13	11	836,5		532	379	236	300	350			
1PB.00.15.400.E11	15	11	836,5		532	379	236	300	350			
1PB.00.21.400.E15	21	15	903,5		599	399	256	300	350			
1PB.00.30.400.E22	30	22	968,5		664	460	330	350	400			

Pritisak / Pressure = 630 bar

Oznaka Designation	Protok Flow (l/min)	Snaga Power (kW)	L	A	B	C	D	ØE	ØF	Usisni otvor	Potisni otvor	Masa Mass (kg)
										Inlet port d	Outlet port d1	
1PB.00.1.2.630.E1,5	1,2	1,5	520	107	316	236	-	156	200	M22x1,5	M16x1,5	
1PB.00.2.630.E3	2	3	586		366	304	189	215	200			
1PB.00.2.8.630.E4	2,8	4	624		406	304	189	215	250			
1PB.00.6.6.630.E7,5	6,6	7,5	792,5	150,5	488	379	236	300	350	M33x2	M22x1,5	
1PB.00.10.630.E15	10	15	903,5		599	399	256	300	350			
1PB.00.13.630.E15	13	15	903,5		599	399	256	300	350			
1PB.00.15.630.E18,5	15	18,5	968,5		664	460	330	350	400			
1PB.00.21.630.E30	21	30	1041,5		715	505	350	400	450			
1PB.00.30.630.E37	30	37	1125,5		804	585	370	500	550			