

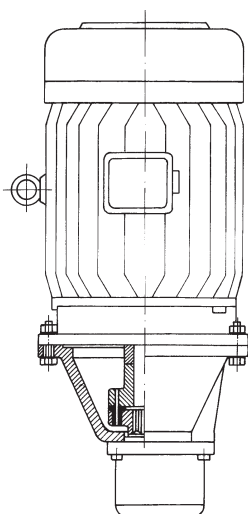
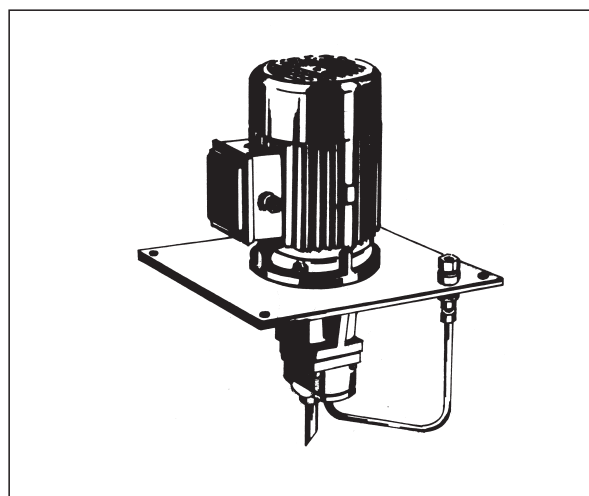
**prva petoletka**  
HYDRAULICS

# Pumpni agregati 1PAP

## Pump units 1PAP

SKLOP MOTOR/ZUPČASTA PUMPA, NISKOG PRITISKA, VERTIKALNI  
MOTOR/GEAR PUMP ASSEMBLY, LOW PRESSURE, VERTICAL VERSION

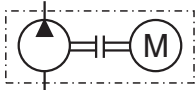
- Pumpni agregat čini sklop pumpe, spojnice i el. motora
- Obezbeđuje pritisak i protok ulja za napajanje hidrauličkog sistema
- Kod ugradnje voditi računa o sledećem:
  - brzina proticanja ulja u usisnom vodu - 2 m/s
  - max pritisak u usisnom vodu ne sme prelaziti 0,5 bar
  - na povratnom vodu ugraditi filter, na usisnom nije potreban
- Dve varijante:
  1. Agregati sa nosećom pločom
  2. Agregati bez noseće ploče
- Primena: najčešće za pretakanje hidrauličkih ulja i teških (tečnih) goriva itd.



- The pump unit is assembly of the pump, coupling and el. motor
- The unit supplies oil flow and pressure for hydraulic system
- When installing the pump units, care should be taken about the following:
  - velocity of the fluid flow in suction line must be up to 2 m/s
  - pressure in suction line must not be higher than 0,5 bar
  - a filter should be fitted on return line, while no filter is required on suction line
- Two variants:
  1. Pump units with mounting plate
  2. Pump units without mounting plate
- Application: predominantly for decanting of hydraulic oil and heavy oil burner etc.

### TEHNIČKE KARAKTERISTIKE

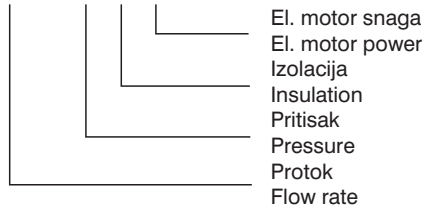
### TECHNICAL DATA

Simbol Symbol		
Pumpa (zupčasta) Pump (gear)	protok flow rate (l/min)	10 ... 400
	broj obtaja speed (r.p.m.)	1500
	nazivni pritisak nominal pressure (bar)	... 25
	smer obrtanja rotation direction	levi anticlockwise
El. motor	snaga power (kW)	0,55 ... 7,5
	broj obtaja speed (r.p.m.)	1500
	napon voltage (V); 50 Hz	220 / 380
	izolacija - zaštita insulation - protection	class E - IP44
Radna tečnost Working fluid	mineralno ulje mineral oil	
	viskozitet viscosity (mm <sup>2</sup> /s)	16 ... 90
	temperatura temperature (°C)	-20 ... +70
Masa (kg) Mass		videti ugradni crtež see mounting drawing

## OZNAČAVANJE DESIGNATION

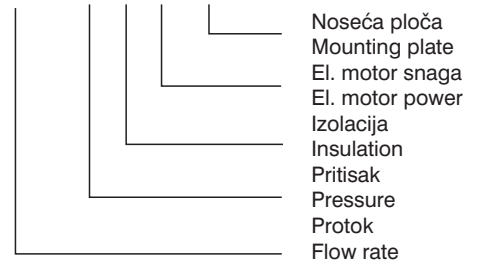
AGREGATI BEZ NOSEĆE PLOČE  
PUMP UNITS WITHOUT MOUNTING PLATE

**1PAP.00\* . \* E \***



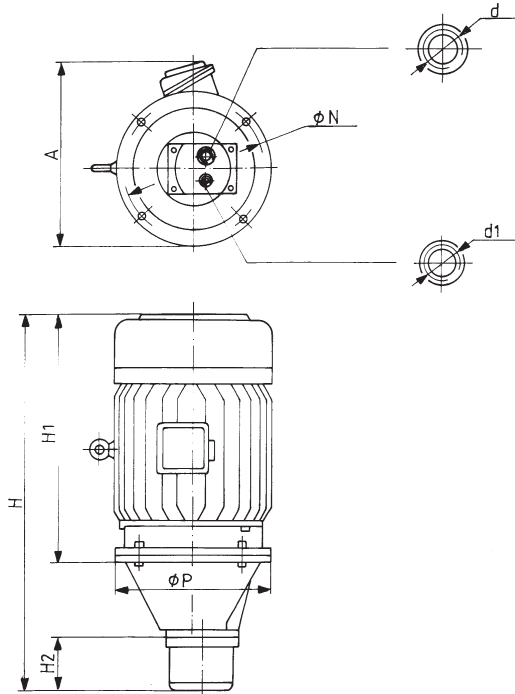
AGREGATI SA NOSEĆOM PLOČOM  
PUMP UNITS WITH MOUNTING PLATE

**1PAP.00\* . \* E \* - P**

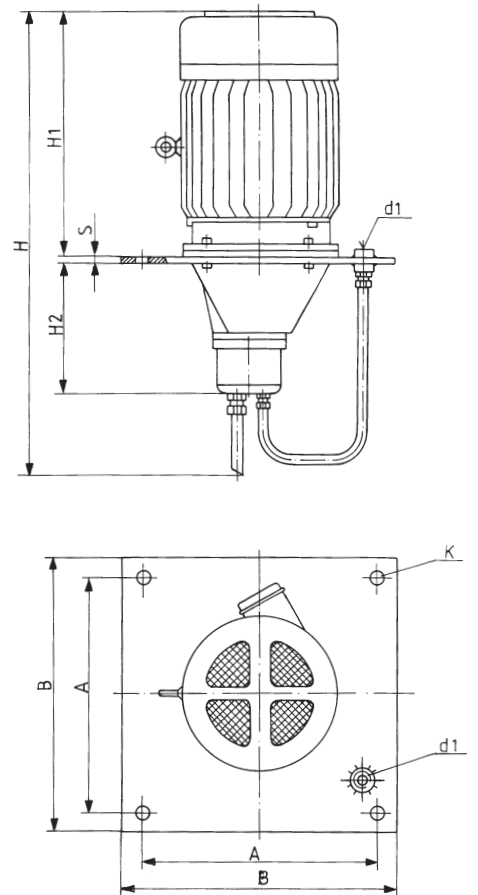


## UGRADNI CRTEŽ (mere u mm) MOUNTING DRAWING (dimensions in mm)

AGREGATI BEZ NOSEĆE PLOČE  
PUMP UNITS WITHOUT MOUNTING PLATE



AGREGATI SA NOSEĆOM PLOČOM  
PUMP UNITS WITH MOUNTING PLATE



AGREGATI BEZ NOSEĆE PLOČE  
PUMP UNITS WITHOUT MOUNTING PLATE

**Pritisak / Pressure = 20 bar**

Oznaka Designation	Protok Flow (l/min)	Snaga Power (kW)	A	H	H1	H2	øN	øP	Usisni otvor Inlet port	Potisni otvor Outlet port	Masa Mass (kg)
									d	d1	
1 PAP.00.10.20.E0,75	1,6	0,75	190	387	242	60	130	160	M18x1,5	M16x1,5	

AGREGATI SA NOSEĆOM PLOČOM  
PUMP UNITS WITH MOUNTING PLATE

**Pritisak / Pressure = 10 bar**

Oznaka Designation	Protok Flow (l/min)	Snaga Power (kW)	A	B	H	H1	H2	S	øK	Usisni otvor Inlet port	Potisni otvor Outlet port	Masa Mass (kg)
										d	d1	
1 PAP.00.20.10.E0,55-P	20	0,55	288	320	500	242	144	10	13	-	M18x1,5	

**Pritisak / Pressure = 20 bar**

1 PAP.00.10.25.E0,55-P	10	0,55	288	320	605	232	135	10	12,5	-	M18x1,5	
------------------------	----	------	-----	-----	-----	-----	-----	----	------	---	---------	--